



Republic of the Philippines
Benguet State University
 2601 La Trinidad, Benguet
 www.bsu.edu.ph

Telefax No. (074) 661-1839; Email:procurement@bsu.edu.ph

REQUEST FOR QUOTATION (RFQ)
(ALL ENTRIES ARE MANDATORY)

Name of Owner/ Corporation/ Cooperative/

Agency: _____

Name of Business : _____

Address: _____

Email address: _____ Telephone No. _____

QUOTATION NO. 976

DATE: AUG 11 2023

P.R. NO. 2023-07-993; 2023-07-1005

ABC: Php. 384,000.00

FUND SOURCE: GAA 2022-FLR

The Benguet State University through its Bids and Awards Committee will undertake **NP-SVP** for the item/s listed below under the following terms and conditions:

- All entries must be written legibly and accurately.
- Delivery period is within **45** calendar days.
- Warranty period shall be for a minimum of three months, in case of expendable supplies, and a minimum of one year in case of non- expendable supplies from date of acceptance by the University.
- Price validity shall be for a period of **30** calendar days.
- Compliance with specifications: Kindly specify in the column provided below whether the offer fully complies with the specifications or a counter offer.
- Deadline of submission of quotation is on or before 5:00 PM of AUG. 18, 2023. Offers may be submitted in sealed or open quotation in person, or through facsimile (074-661-1839) or email (procurement@bsu.edu.ph)
- The item/s shall be procured by: _____ a) line item; b) lot; _____ c) sub-lot
- Business Permit Number : _____, date of issue: _____, place of issue: _____, (If renewal of Business Permit is still on process, please indicate OR No: _____, date of OR : _____ for the payment of renewal).
- * PhilGEPS Registration Number: _____

REYNANTE B. BASCO
 Chairperson, BAC (Goods & Services)
 8-11-23

College/Dept./Office **BOKOD, CIS**

Item No.	Qty	Unit	Item	Technical Specifications (Brand and Model)		ABC	Unit Cost	Total Cost
				COMPLY	COUNTER OFFER			
FABRICATED FURNITURE								
1	32	unit	CLASSROOM TABLE , combination of plyboard, plywood and pine wood with front cover, As per attached design and specifications			240,000.00		
2	12	unit	OFFICE TABLE , combination of pinewood and plywood, As per attached design and specifications			120,000.00		
1	4	units	TABLE -Round Table, fabricated, laminated wood			24,000.00		
TOTAL						384,000.00		

Counter offers:

Delivery Period: _____

Warranty: _____

Price Validity: _____

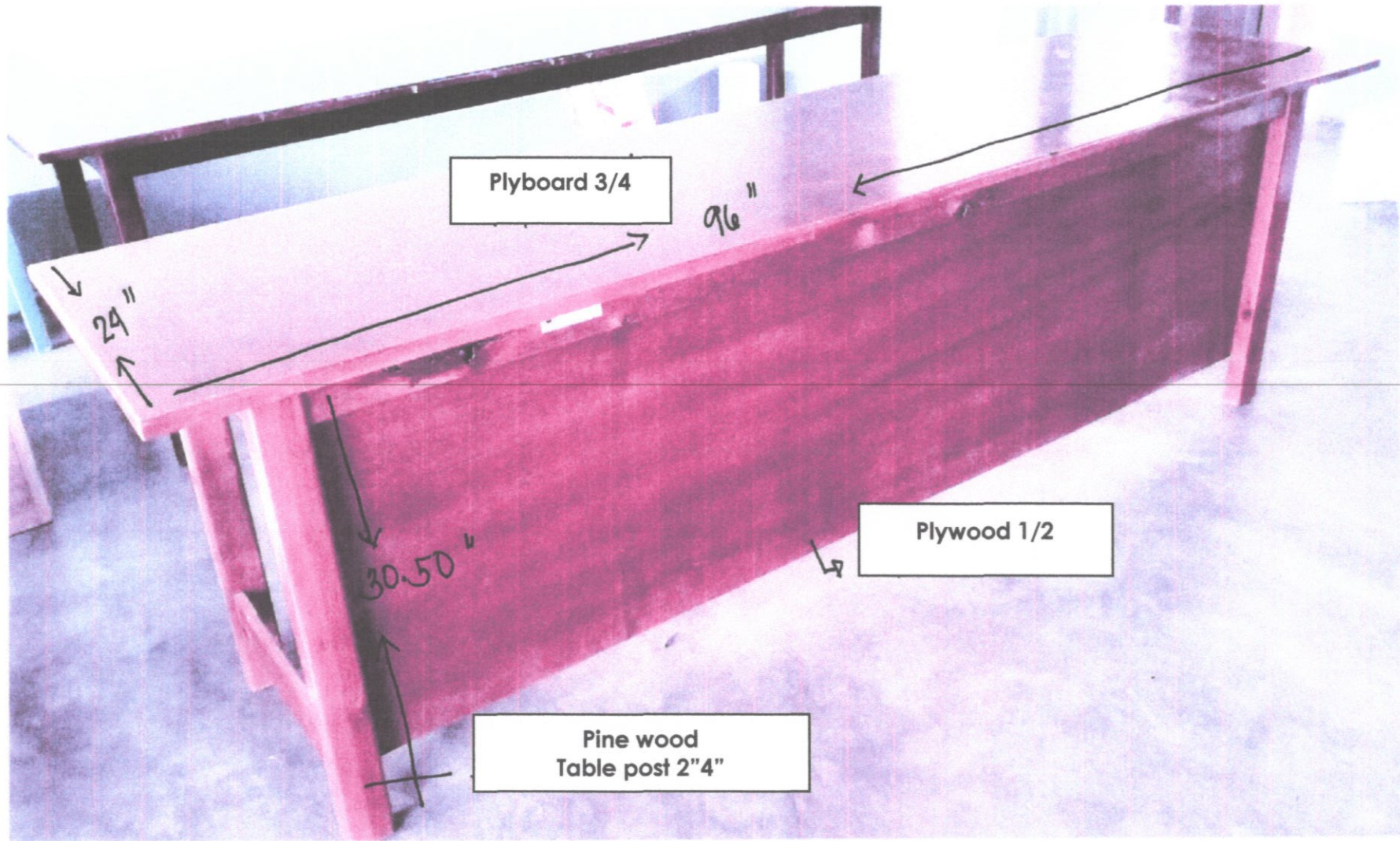
We hereby submit our quotations, accept the general conditions for the above items and be bound by our offer.

 Signature over Printed Name

 Date and Time of Receipt of RFQ

* Not a ground for disqualification for failure to indicate but required as a condition for award.

Fabricated Classroom Table



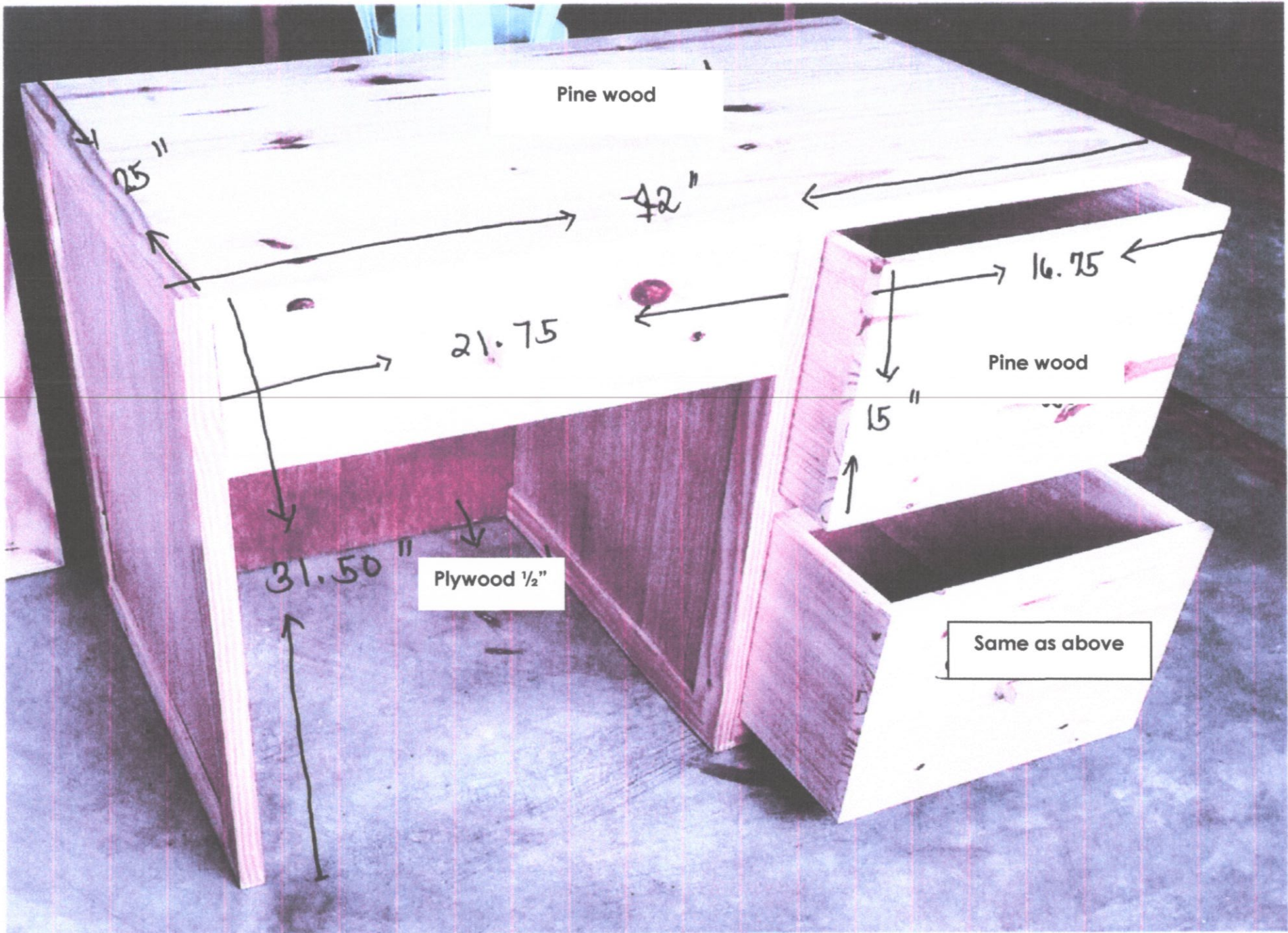
Height: 30.50"
Length: 96" (length of
plyboard)
Width: 24"

Material: Solid wood-pine
wood, Plyboard and
Plywood

Varnish Finished

Note: All joints must be
applied w/ glue (Stikwel)

Fabricated Office Table



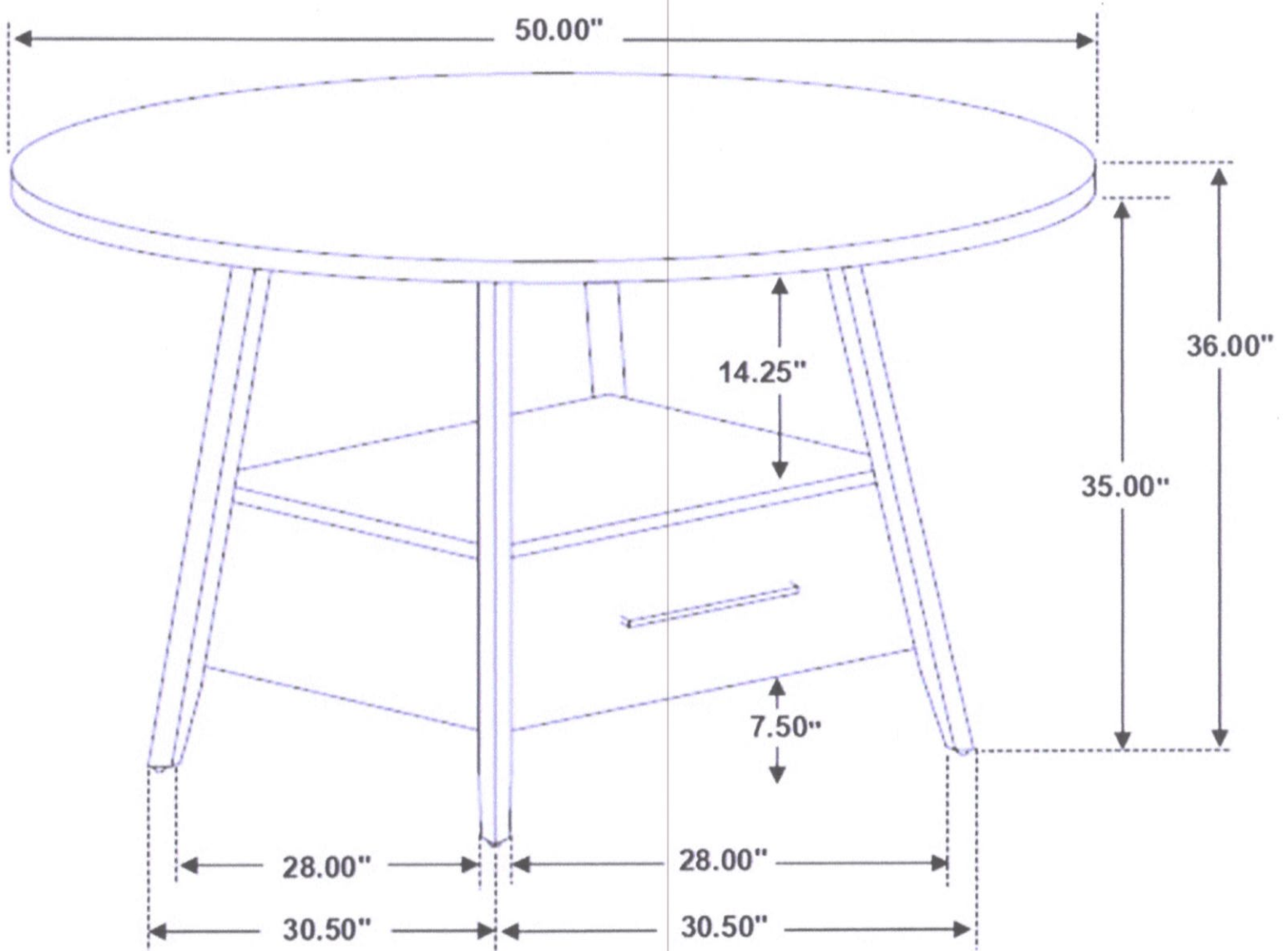
Height: 31.50"
Length: 42"
Width: 25"

Material: Solid wood-pine wood and Plywood

Varnish Finished

ROUND TABLE

Inner Size of Drawer : 19.50"W X 14.25"D X 5.50"H X 0.50"T



Note: Dimension tolerance $\pm 5\%$ □