



Republic of the Philippines
Benguet State University

2601 La Trinidad, Benguet
www.bsu.edu.ph

Telefax No. (074) 661-1839; Email:procurement@bsu.edu.ph

REQUEST FOR QUOTATION (RFQ)
(ALL ENTRIES ARE MANDATORY)

Name of Owner/ Corporation/ Cooperative/ Agency: _____ QUOTATION NO. 413

Name of Business : _____ DATE: APR 17 2023

Address: _____ P.R. NO. 2023-03-402, 163

Email address: _____ Telephone No. _____ ABC: Php. 325,000.00

FUND SOURCE: IGI

The Benguet State University through its Bids and Awards Committee will undertake **NP-SVP** for the item/s listed below under the following terms and conditions:

- All entries must be written legibly and accurately.
- Delivery period is within **45** calendar days.
- Warranty period shall be for a minimum of three months, in case of expendable supplies, and a minimum of one year in case of non- expendable supplies from date of acceptance by the University.
- Price validity shall be for a period of **30** calendar days.
- Compliance with specifications: Kindly specify in the column provided below whether the offer fully complies with the specifications or a counter offer.
- Deadline of submission of quotation is on or before 5:00 PM of April 2023. Offers may be submitted in sealed or open quotation in person, or through facsimile (074-661-1839) or email (procurement@bsu.edu.ph)
- The item/s shall be procured by: a) line item; _____ b) lot; _____ c) sub-lot
- Business Permit Number : _____, date of issue: _____, place of issue: _____, (If renewal of Business Permit is still on process, please indicate OR No: _____, date of OR : _____ for the payment of renewal)
- * PhilGEPS Registration Number: _____

REYNANTE B. BASCO
Chairperson, BAC (Goods & Services)

College/Dept./Off NPRCRTC, NSTP

Item No.	Qty	Unit	Item	Technical Specifications (Brand and Model)		ABC	Unit Cost	Total Cost
				COMPLY	COUNTER OFFER			
Fabrication of Various Furniture								
1	2	unit	Stainless cabinet (sliding glass door, wheels, and locks, 18 gauge, type: 430 SS, with 5 shelves, H=210 cm, width=110 cm, & D=70 cm, shelves height: from foot: 65,60,50 & 35), Please see attached drawing			90,000.00		
2	1	unit	Stainless cabinet (sliding glass door, wheels, and locks, 18 gauge, type: 430 SS, with 6 shelves, H=185 cm, width=90 cm, & D=40 cm, shelves height: from foot:35,30,25 with sliding glass, 50 open & 45 cm with sliding glass), Please see attached drawing			35,000.00		
3	1	unit	Preparation table cabinet (Stainless steel, with lower shelves with cover, wheels (H-78cm, width-90, & length 220 cm) Attached shelves on the side (Height from table-50cm and 52 cm open shelf), Please see attached drawing			60,000.00		

see attached design

Item No.	Qty	Unit	Item	Technical Specifications (Brand and Model)		ABC	Unit Cost	Total Cost
				COMPLY	COUNTER OFFER			
4	1	unit	Bubble Tea set-up stainless steel (two sink, with complete fittings, closed shelves, H=80cm, length-220 cm, width-70 cm. Two upper shelves, compartments-30cm, 80cm), Please see attached drawing			55,000.00		
5	1	unit	Spineboard Storage Unit with repositionable shelves with adjustable dividers to accommodate 5-8 spine boards and scoop stretchers and (2) swivel stem caster & (2) swivel/brake stem casters with a resilient rubber, tread or optional polyurethane tread and donut bumpers, Please see attached drawing			85,000.00		
TOTAL						325,000.00		
XXXXXXXXXXXX								

Counter offers:

Delivery Period: _____

Warranty: _____

Price Validity: _____

We hereby submit our quotations, accept the general conditions for the above items and be bound by our offer.

Signature over Printed Name

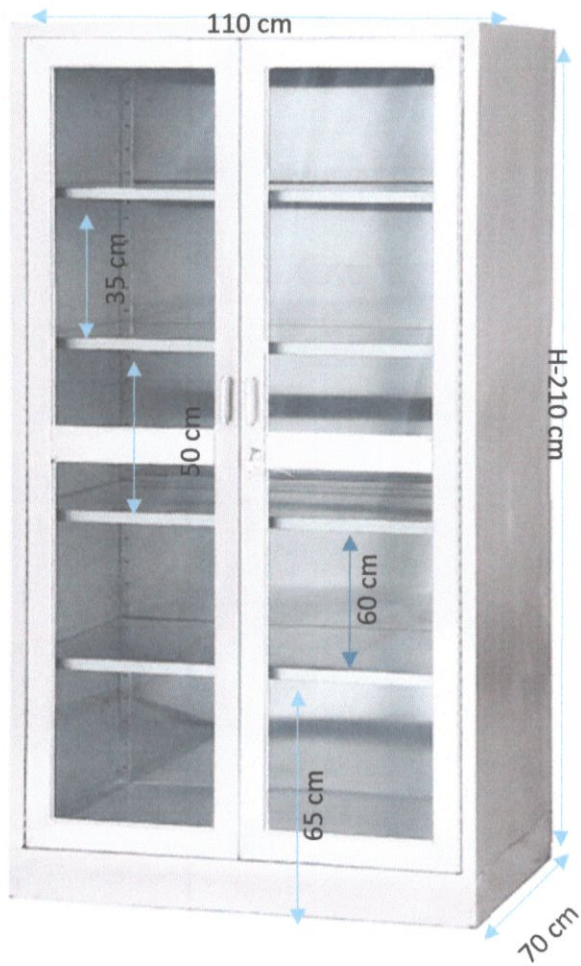
Date and Time of Receipt of RFQ

* Not a ground for disqualification for failure to indicate but required as a condition for award.

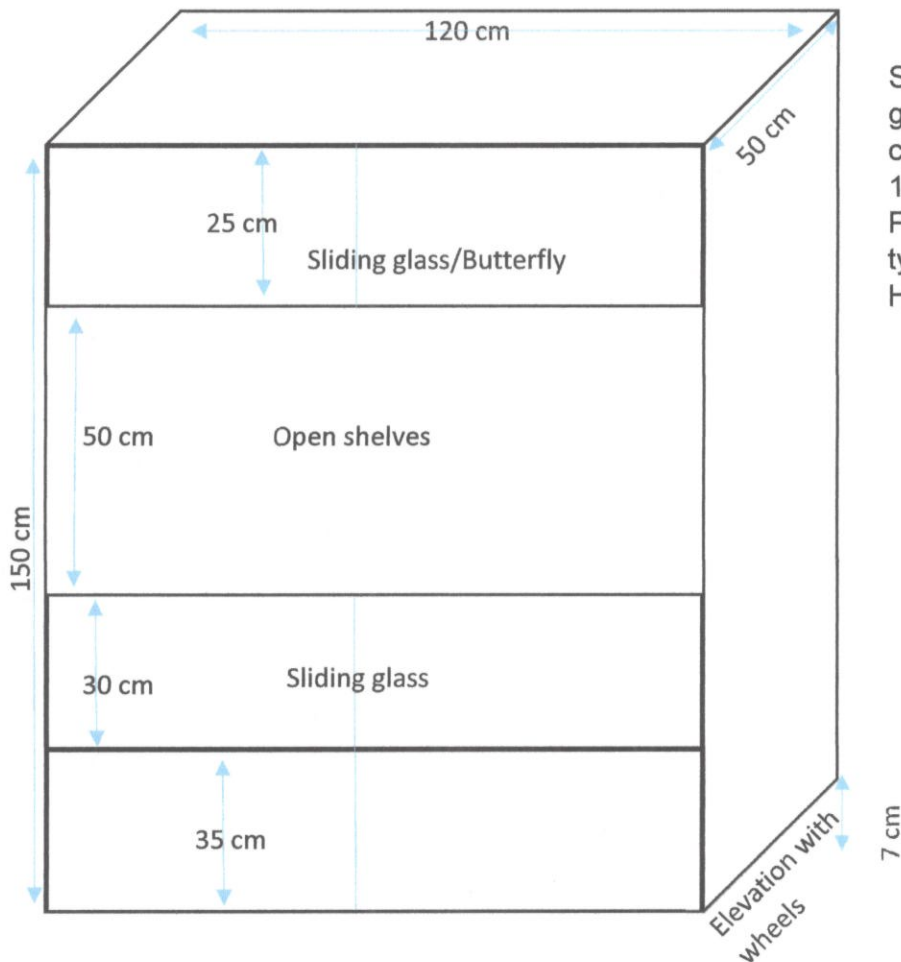
Revised: 9/19/2022

PR# 402, 163

Specifications for the items 5-8:

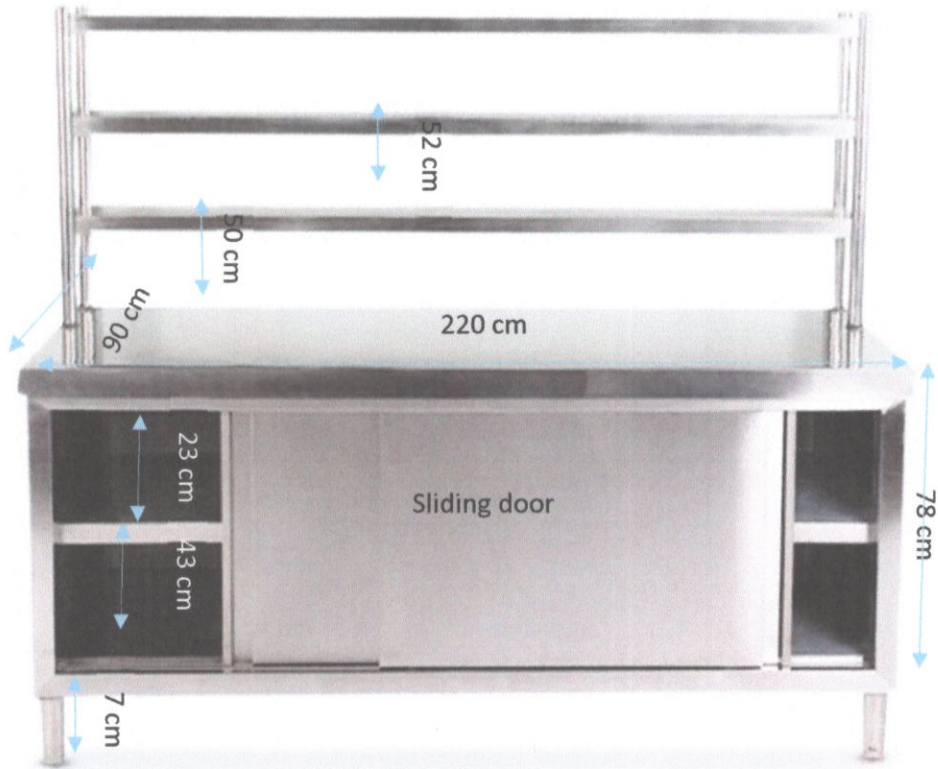


Specifications: Stainless cabinets
 brake caster wheels 5" diameter
 made of Plastex/rubber,
 sliding/butterfly, 18 gauge (4"
 circumference), type-430 SS, 5
 shelves

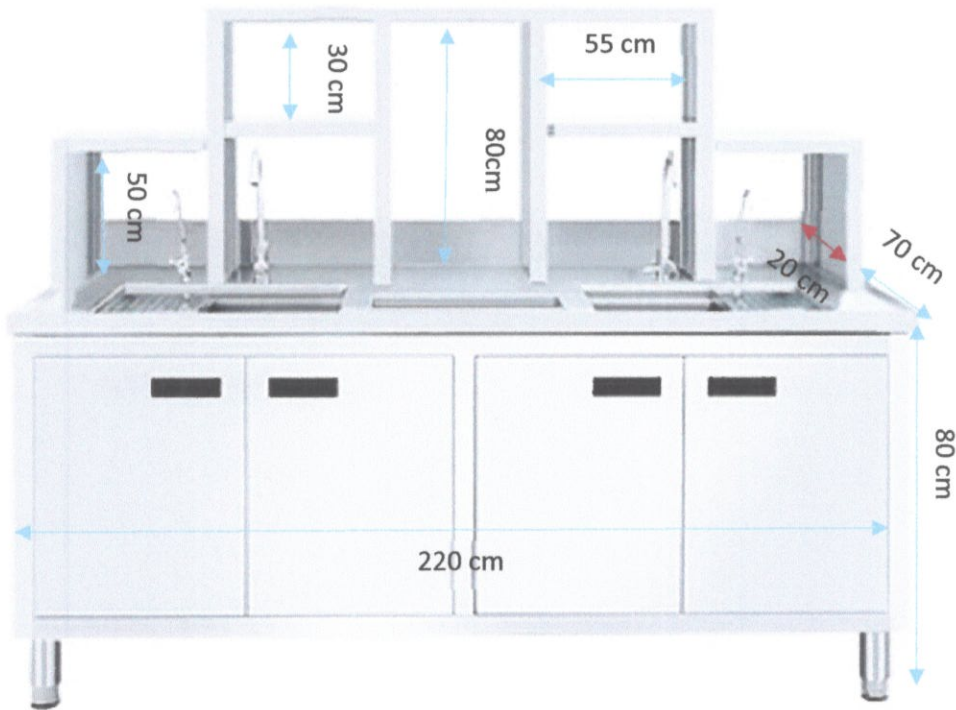


Stainless cabinet (Sliding
 glass doors, with brake
 caster wheels 5 " diameter
 180 kg capacity
 Plastex/rubber, 18 gauge,
 type:430 SS, with 6 shelves,
 H-150, W-120, D-50)

Preparation table cabinet (Specification- stainless steel, with brake
caster wheels with lock 5 diameter ", 400 kg capacity Plastex/rubber,
18 gauge, type: 430)



Bubble Tea Set-up stainless steel (Specification- 2 sink-
Length-53 x 39 width, 16 depth) with complete fittings,
closed shelves), no compartments inside



FABRICATION OF SPINEBOARD

LENGTH = 5'

HEIGHT = 30"

OUTER DIMENSION = 22"

INNER DIMENSION = 20"

RAILINGS SPACE = 4"

1 1/2" ANGLE BAR

material - metal

