



Republic of the Philippines
Benguet State University
 2601 La Trinidad, Benguet
 www.bsu.edu.ph

Telefax No. (074) 661-1839; Email: procurement@bsu.edu.ph

REQUEST FOR QUOTATION (RFQ)
(ALL ENTRIES ARE MANDATORY)

Name of Owner/ Corporation/ Cooperative/ Agency: _____ QUOTATION NO. - 1344
 Name of Business : _____ DATE: NOV 06 2023
 Address: _____ P.R. NO. : 2023-07-940
 Email address: _____ Telephone No. _____ ABC: P78,340.00
 FUND SOURCE: SP

The Benguet State University through its Bids and Awards Committee will undertake SP-SVP
 for the item/s listed below under the following terms and conditions:

- All entries must be written legibly and accurately.
- Delivery period is within 15 calendar days.
- Warranty period shall be for a minimum of three months, in case of expendable supplies, and a minimum of one year in case of non- expendable supplies from date of acceptance by the University.
- Price validity shall be for a period of 30 calendar days.
- Compliance with specifications: Kindly specify in the column provided below whether the offer fully complies with the specifications or a counter offer.
- Deadline of submission of quotation is on or before 5:00 pm of Nov. 13, 2023. **Offers may be submitted in sealed or open quotation in person, or through facsimile (074-661-1839) or email (procurement@bsu.edu.ph)**
- The item/s shall be procured by: a) line item; b) lot; c) sub-lot
- Business Permit Number : _____, date of issue: _____, place of issue: _____
 (If renewal of Business Permit is still on process, please indicate OR No: _____, date of OR : _____ for the payment of renewal).
- * PhilGEPS Registration Number: _____

REYNANTE B. BASCO
 Chairperson, BAC (Goods & Services)

College/Dept./Office: **CNS-Biology Department Room. 301**

Item No.	Qty	Unit	Item	Technical Specifications (Brand and Model)		ABC	Unit Cost	Total Cost
				COMPLY	COUNTER OFFER			
1	2	unit	Water Tank <u>Supply & Delivery</u> Vertical polyethylene tank, at least 4.00mm thickness, with at least 1,500 liters capacity, <u>w/ base & design</u> <u>As per Attached</u>			P 50,840.00		
2	1	unit	Jetmatic Assembly <u>Supply & Delivery</u> Booster pump 1.5HP 220V Single phase, with at least 32 liter capacity jet tank, pressure gauge, pressure switch, bushing fitting			P 27,500.00		
TOTAL						78,340.00		
XXXXXXXXXX								

Counter offers:

Delivery Period: _____
 Warranty: _____
 Price Validity: _____

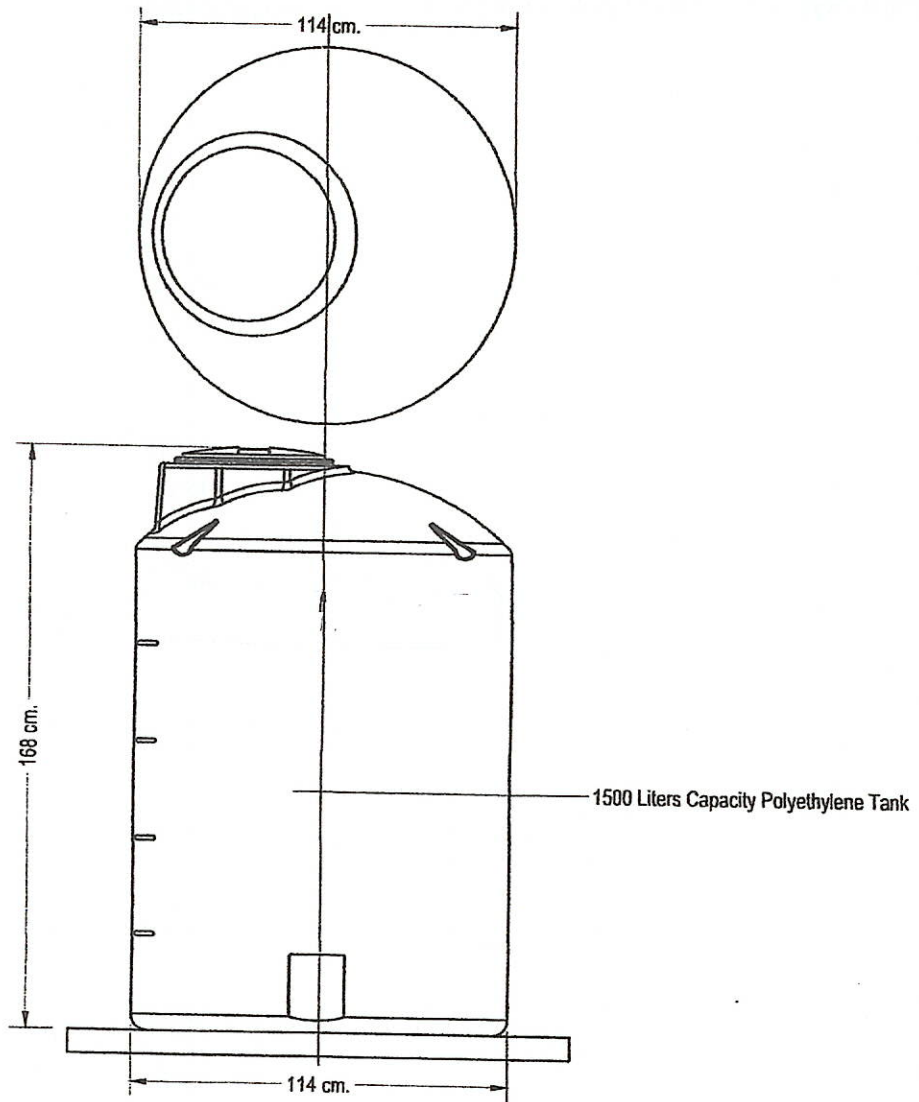
We hereby submit our quotations, accept the general conditions for the above items and be bound by our offer.

Signature over Printed Name

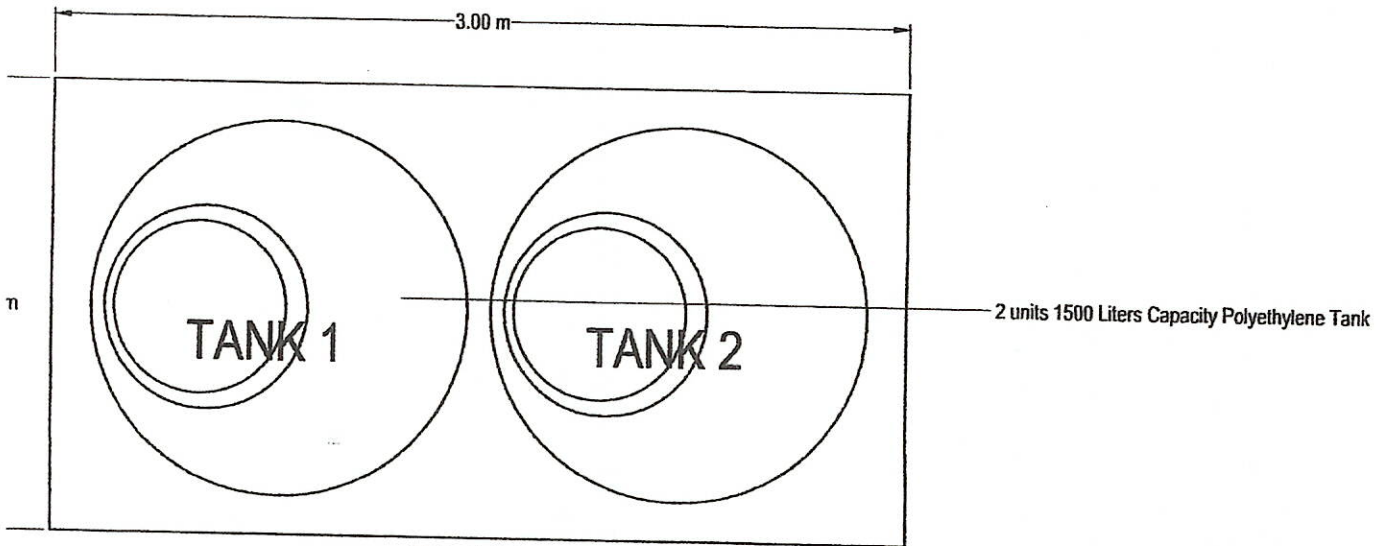
Date and Time of Receipt of RFQ

* Not a ground for disqualification for failure to indicate but required as a condition for award.

Revised: 9/19/2022



 **Tank Dimensions**



PLAN

