

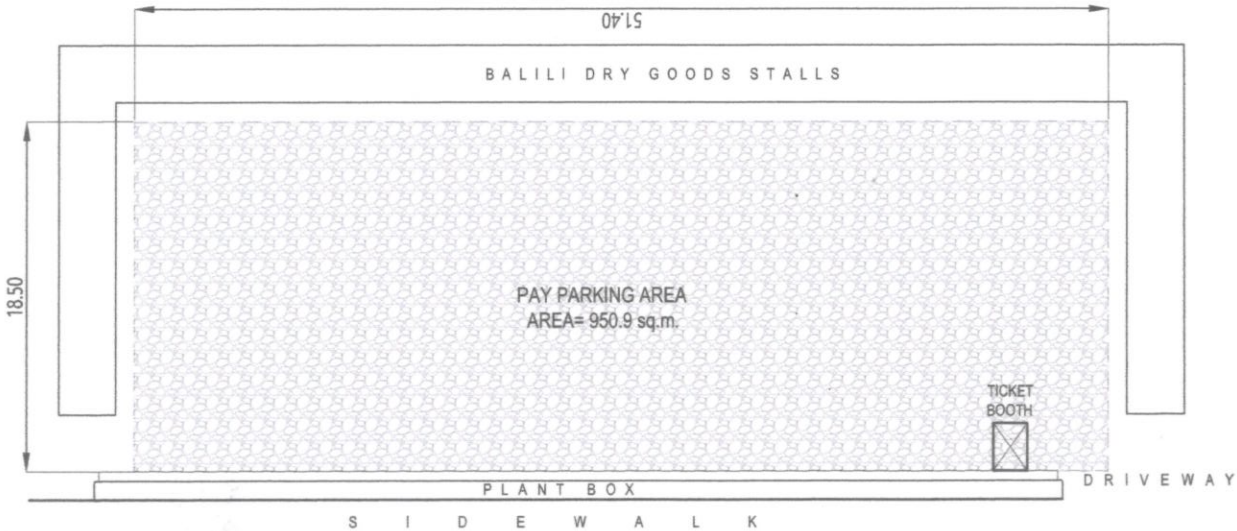
Benguet State University
RECEIVED
 JUL 06 2022
 Procurement Management Office



A1 EXISTING SITE
 02 - 02 SCALE NTS



A1 VICINITY AND SITE DEVELOPMENT PLAN
 02 - 02 SCALE NTS

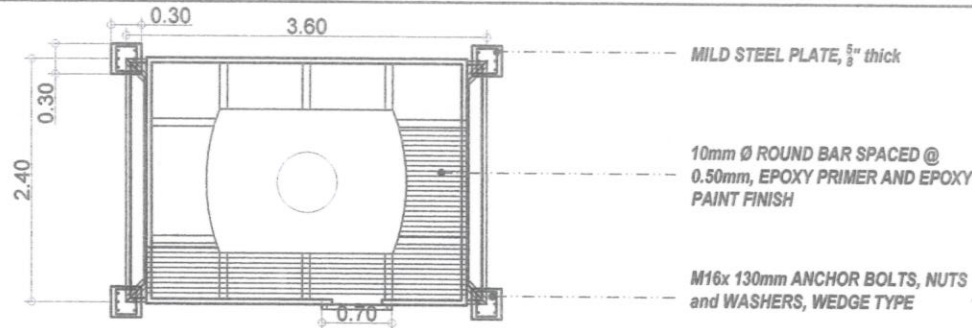


A1 GRADING AND GRAVELLING at BALILI DRY GOODS PAY PARKING AREA
 01 - 02 SCALE 1: 400 meters

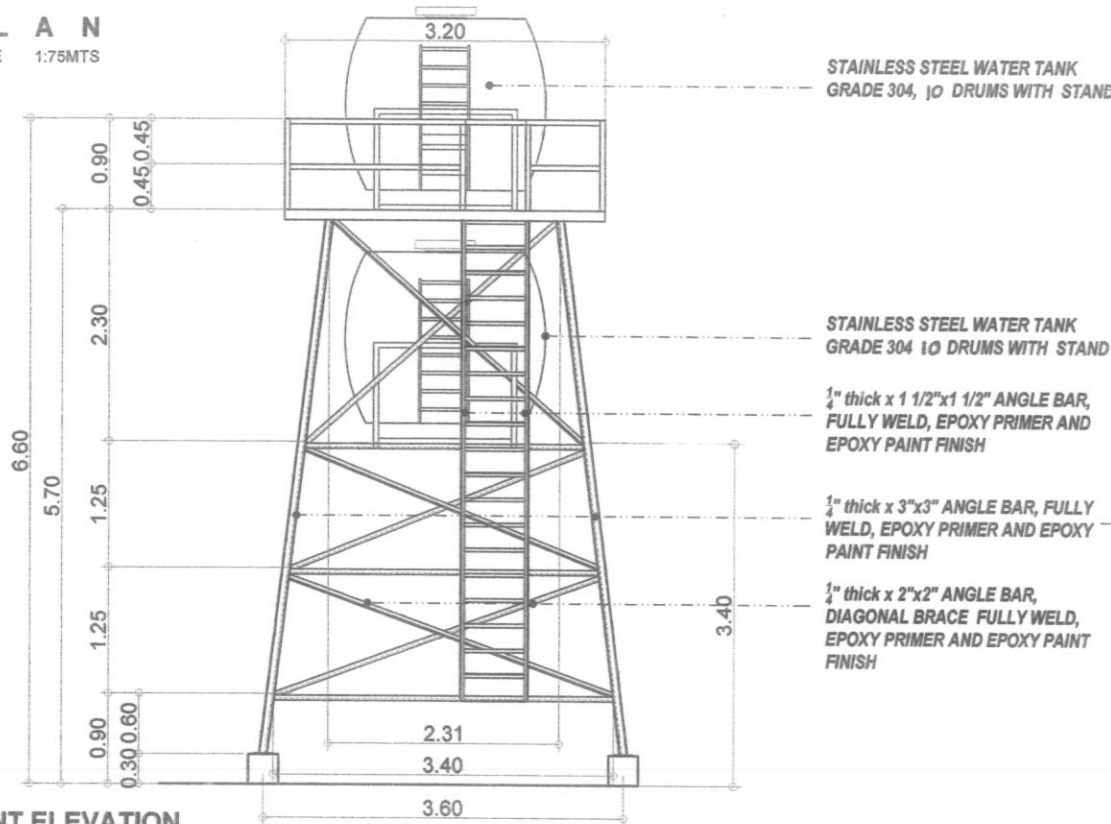
DRAFTED BY:	CONFORME:	OWNER:	ENDORSED BY:	APPROVED:	PROJECT TITLE / LOCATION:	PAGE CONTENT	SHEET NO.
 MAYLYN A. DE VERA DRAFTSMAN I- PDO	VALENTINO L. MACANES DIRECTOR-SPECIAL PROJECTS and PARTNERSHIPS	 BENGUET STATE UNIVERSITY	 MELVIN JOHN M. AROMIN PLANNING & DEVELOPMENT OFFICE- DIRECTOR	 ALLAN C. SACPA VICE PRESIDENT FOR ADMINISTRATION & FINANCE	 FELIPE SALANG COMILA BENGUET STATE UNIVERSITY PRESIDENT	GRADING AND GRAVELLING OF THE PAY PARKING AREA BSU, Balili Dry Goods Pay Parking Area, Balili, La Trinidad, Benguet	REVISION NO. <div style="border: 1px solid black; border-radius: 50%; width: 30px; height: 30px; display: flex; align-items: center; justify-content: center; margin: 0 auto;"> <div style="text-align: center;"> A1 3 </div> </div>

WATER TANK TOWER FOR THE BAKERY AND FPC

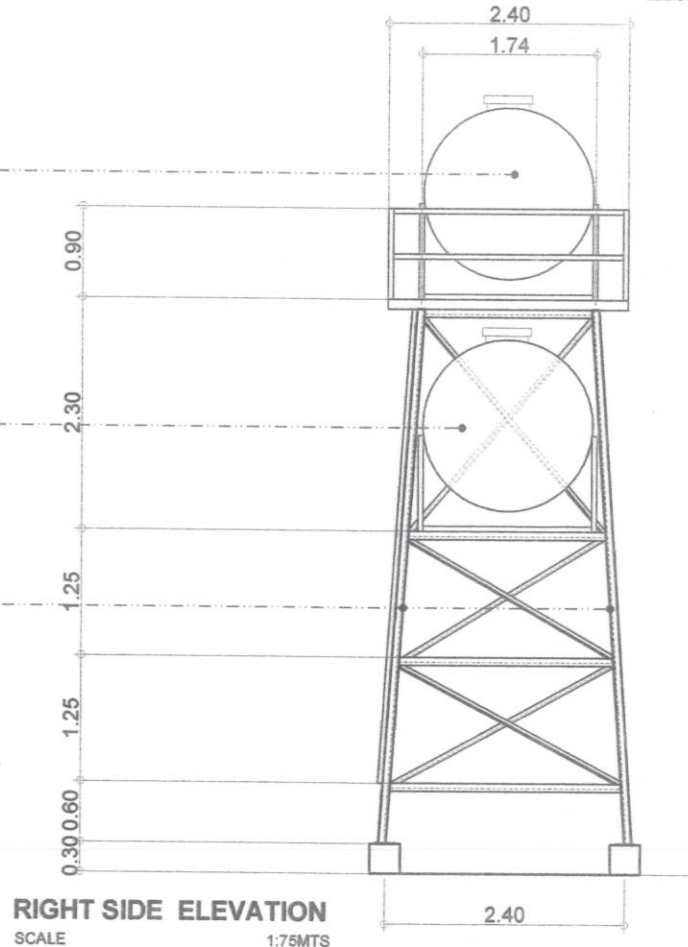
Benguet State University
RECEIVED
 JUL 06 2022
 Procurement Management Office



P L A N
 SCALE 1:75MTS



FRONT ELEVATION
 SCALE 1:75MTS

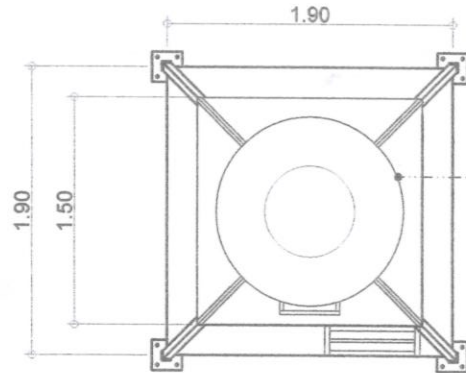


RIGHT SIDE ELEVATION
 SCALE 1:75MTS

 HAZELINE N. TIBANGAY UNIVERSITY ARCHITECT PRC LIC. No. 028540 PTR No.		 NORMA P. BANINIA PRC LIC. No. _____ PTR No. _____		CADD BY: EMS-MAY 2022	 BSU, KM 5 BSU COMPOUND LA TRINIDAD, BENGUET	BENGUET STATE UNIVERSITY LA TRINIDAD, BENGUET	 JOHNNY C. DATI SR. END USER / VP UBA	 ALLAN C. SACPA VICE PRESIDENT- ADMIN AND FINANCE	 FELIPE SALANG COMILA PRESIDENT	SHEET CONTENT AS SHOWN REVISION DATE: REVISION NO.:	SHEET NO. A-1 1/3
---	--	--	--	--------------------------	--	---	--	--	--	--	-------------------------

WATER TANK TOWER FOR THE CANTEEN

P L A N
SCALE 1:50 MTS

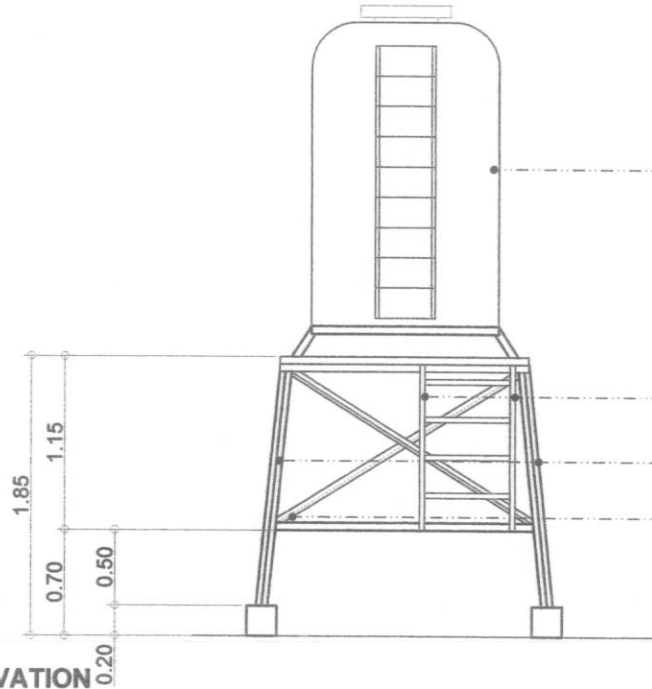


STAINLESS STEEL WATER TANK
GRADE 304, 10 DRUMS WITH LADDER
AND STAND



LOCATION

FRONT ELEVATION
SCALE 1:50 MTS

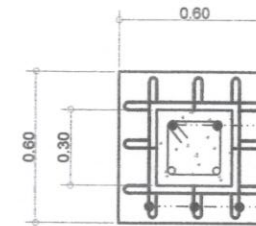


STAINLESS STEEL WATER TANK
GRADE 304, 10 DRUMS WITH LADDER
AND STAND

1/4" thick x 1 1/2"x1 1/2" ANGLE BAR,
FULLY WELD, EPOXY PRIMER AND
EPOXY PAINT FINISH

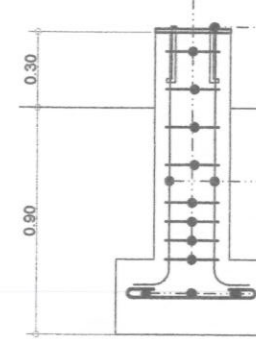
1/4" thick x 3"x3" ANGLE BAR, FULLY
WELD, EPOXY PRIMER AND EPOXY
PAINT FINISH

1/4" thick x 2"x2" ANGLE BAR, BRACE
FULLY WELD, EPOXY PRIMER AND
EPOXY PAINT FINISH



4-D16 mm REINFORCED
BARS

6-D16 mm REINFORCED
BARS BOTHWAYS



D10 mm REINFORCED
BARS
MILD STEEL PLATE, 5/8"
thick
M16x 130mm ANCHOR
BOLTS, NUTS and
WASHERS, WEDGE
TYPE

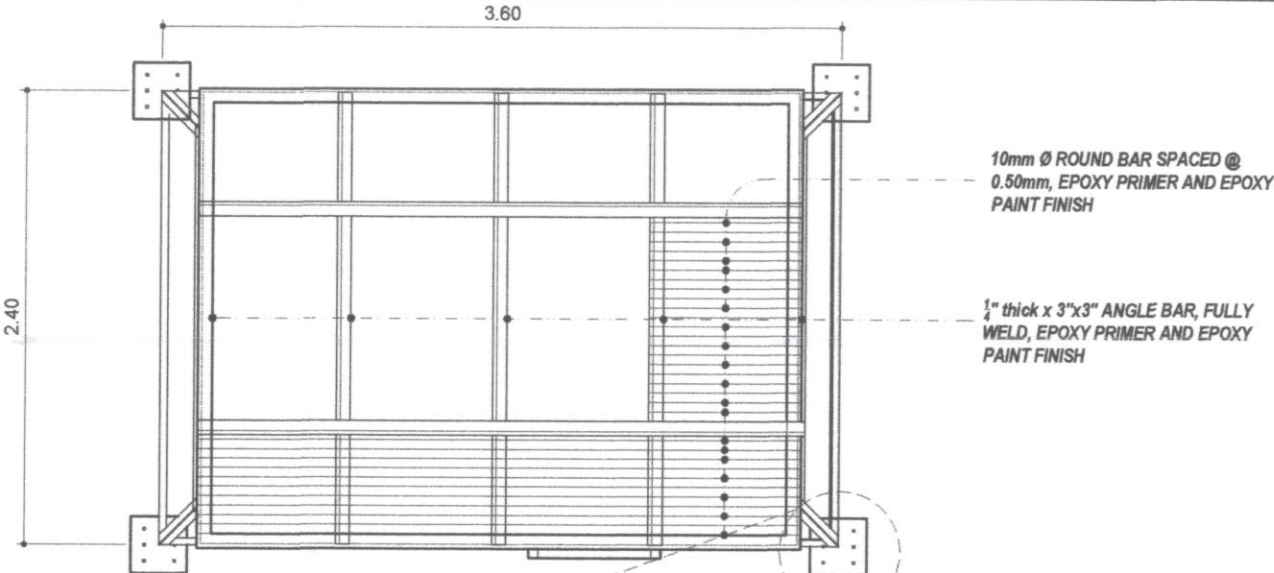
6-D16 mm REINFORCED
BARS

6-D16 mm REINFORCED
BARS

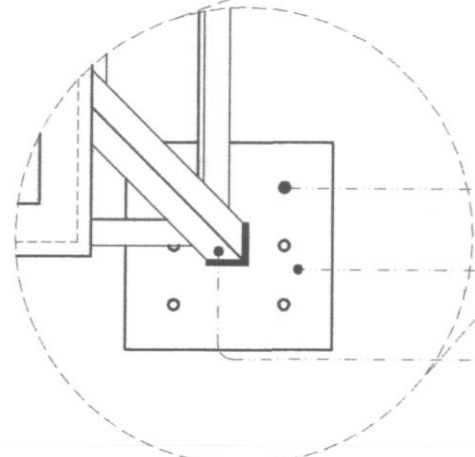
PEDESTAL-FOOTING DETAIL
SCALE 1:50 MTS

 HAZELINE N. TIBANGAY UNIVERSITY ARCHITECT		 NORMA P. BAHANIA		CAD BY: EMS-MAY 2022	BSU, JKM 5 BSU COMPOUND LA TRINIDAD, BENGUET	 BENGUET STATE UNIVERSITY LA TRINIDAD, BENGUET	 JOHNNY G. DATI SR.	 ALLAN C. SACPA	 FELIPE SALANG COMILA	SHEET CONTENT AS SHOWN REVISION DATE: REVISION NO.:	SHEET NO. A-2 2/3
PRC LIC. No. 028540 PTR No.	VALIDITY: ISSUED:	PRC LIC. No. PTR No.	VALIDITY: ISSUED:	PROJECT / LOCATION	OWNER	END USER/USER	VICE PRESIDENT- ADMIN AND FINANCE	PRESIDENT			

WATER TANK TOWER FOR THE BAKERY AND FPC



DETAIL "A"



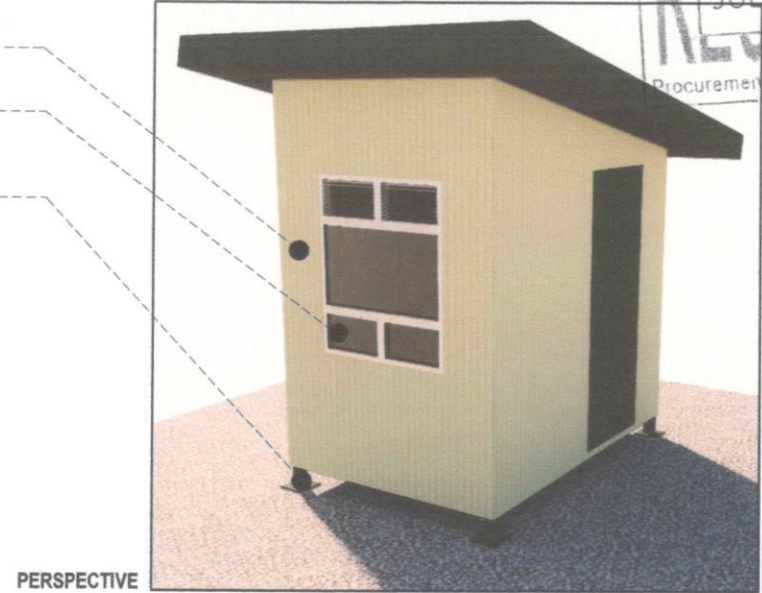
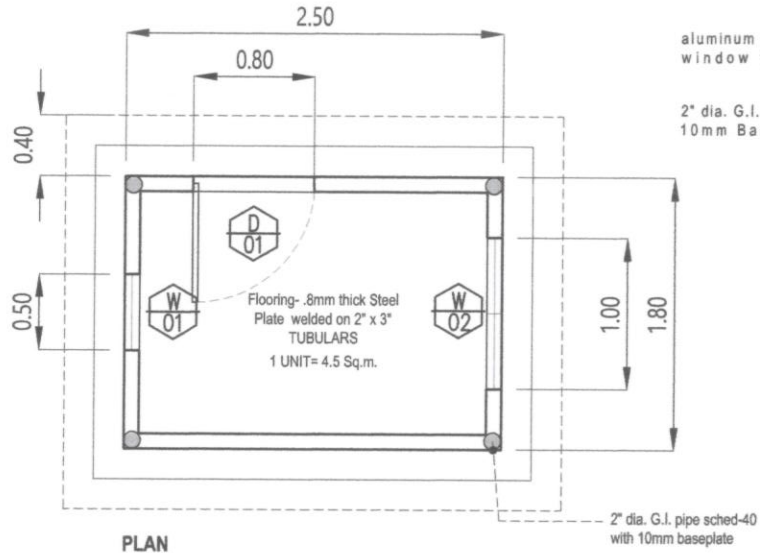
DETAIL "A"

- M16x 130mm ANCHOR BOLTS, NUTS and WASHERS, WEDGE TYPE
- MILD STEEL PLATE, 5/8" thick
- 1/4" thick x 3"x3" ANGLE BAR, FULLY WELD, EPOXY PRIMER AND EPOXY PAINT FINISH

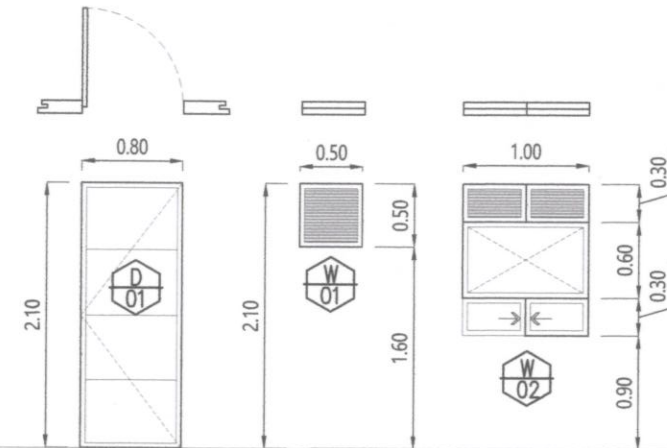
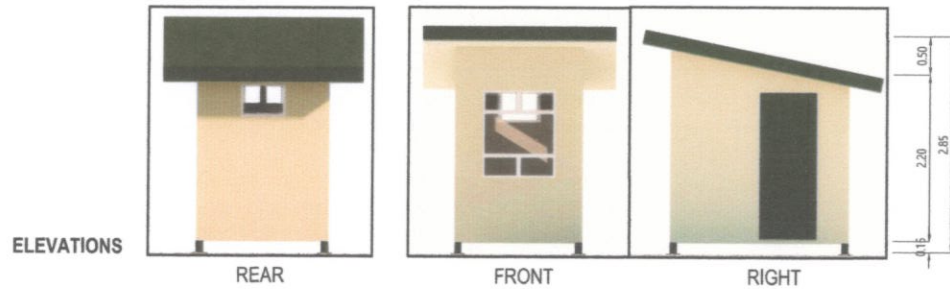
 HAZELINE N. TIBANGAY UNIVERSITY ARCHITECT	 NORMA P. BANAL	CAD BY: EMS-MAY 2022	 BENGUET STATE UNIVERSITY LA TRINIDAD, BENGUET	 JOHNNY G. DATI SR.	 ALLAN C. SACPA	 FELIPE SALTING COMILA	SHEET CONTENT	SHEET NO.
							AS SHOWN	S-1
PRC LIC. No. 028540 VALIDITY: ISSUED:	PRC LIC. No. VALIDITY: ISSUED:	PROJECT / LOCATION BSU, KM 4.5 BSU COMPOUND LA TRINIDAD, BENGUET	OWNER BENGUET STATE UNIVERSITY LA TRINIDAD, BENGUET	END USER / T/UBA JOHNNY G. DATI SR.	VICE PRESIDENT- ADMIN AND FINANCE ALLAN C. SACPA	PRESIDENT FELIPE SALTING COMILA	REVISION NO: 3 3	



EXISTING BOOTH
 PROPOSED LOCATION: BALILI DRY GOODS
 PAY PARKING & SWAMP BETAG



PERSPECTIVE



DOOR AND WINDOWS SCHEDULE

A1 **TICKET BOOTH DETAILS**
 01 - 02 **SCALE** nts

DRAFTED BY:

MAYLYN A. DE YERA
 DRAFTSMAN 1- PDO

CONFORME:

VALENTINO L. MACANES
 DIRECTOR-SPECIAL PROJECTS and PARTNERSHIPS

OWNER:



ENDORSED BY:

MELVIN JOHN M. AROMIN
 PLANNING & DEVELOPMENT OFFICE- DIRECTOR

APPROVED:

ALLAN C. SACPA
 VICE PRESIDENT FOR ADMINISTRATION & FINANCE

APPROVED:

FELIPE SALAING COMILA
 BENGUET STATE UNIVERSITY PRESIDENT

PROJECT TITLE / LOCATION:

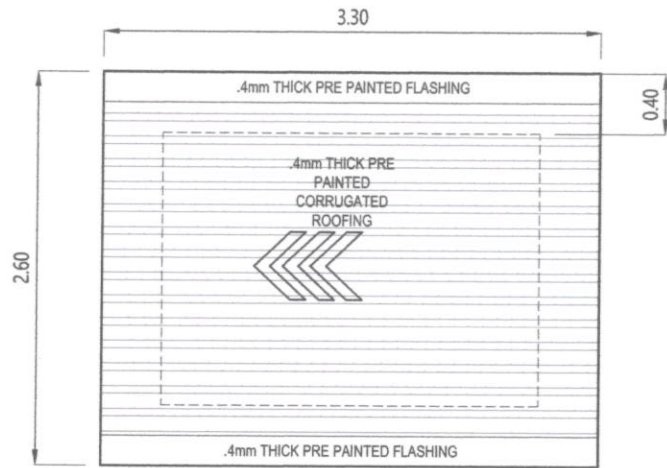
**CONSTRUCTION / EXTENSION OF
 TICKET BOOTH**
 BSU Balili and Backfill Pay Parking Area, Balili,
 La Trinidad, Benguet

PAGE CONTENT

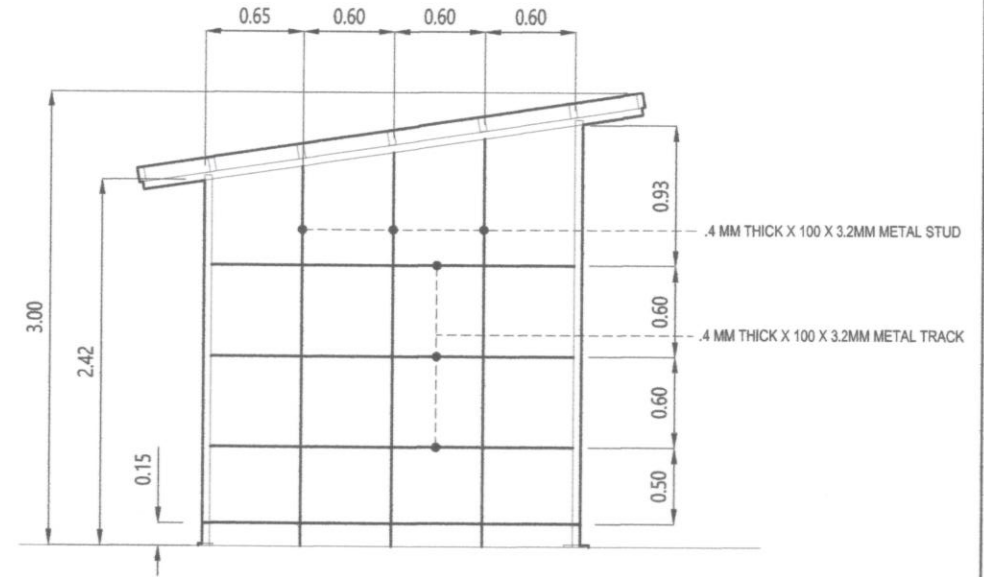
REVISION NO.

SHEET NO.

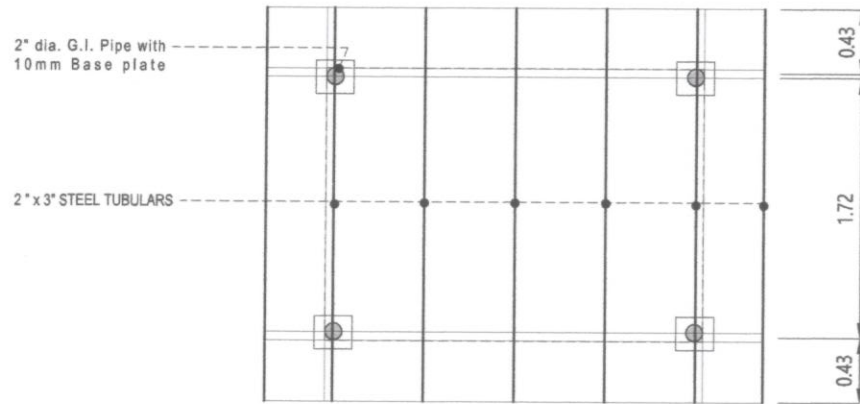
A3
3



A1 ROOF PLAN
01 - 02 **SCALE** 1: 50 meters



A1 WALL FRAMING DETAILS
01 - 02 **SCALE** 1: 50 meters



A1 ROOF FRAMING PLAN
01 - 02 **SCALE** 1: 50 meters

DRAFTED BY:

MAYLYN A. DE VERA
DRAFTSMAN 1-PDO

CONFORME:

VALENTINO L. MACANES
DIRECTOR-SPECIAL PROJECTS and PARTNERSHIPS

OWNER:



ENDORSED BY:

MELVIN JOHN M. AROMIN

PLANNING & DEVELOPMENT OFFICE- DIRECTOR

ALLAN C. SACPA

VICE PRESIDENT FOR ADMINISTRATION & FINANCE

APPROVED:

FELIPE SALAING COMILA

BENGUET STATE UNIVERSITY PRESIDENT

PROJECT TITLE / LOCATION:

**CONSTRUCTION / EXTENSION OF
TICKET BOOTH**
BSU Balli and Backfill Pay Parking Area, Balli,
La Trinidad, Benguet

PAGE CONTENT

REVISION NO.

SHEET NO.

A3
3