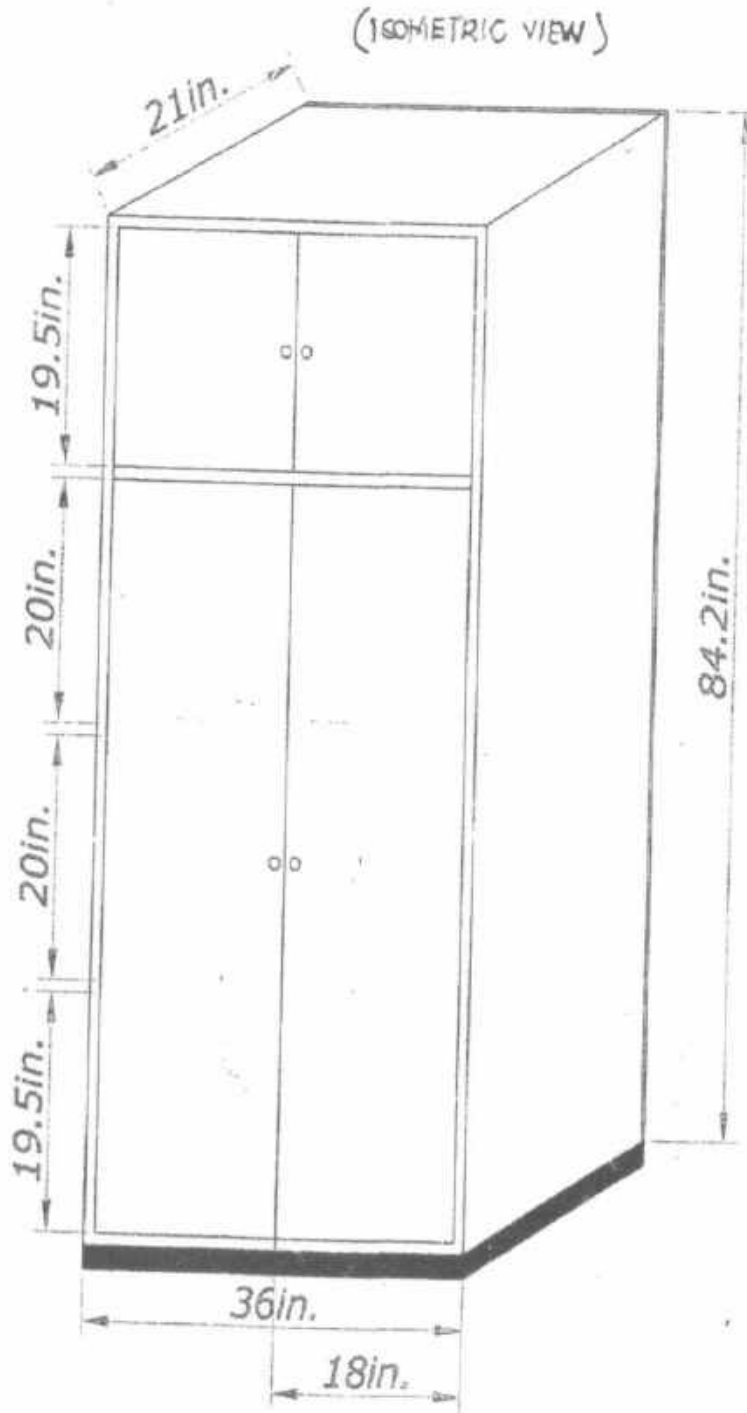


#1

CABINET DISPLAY GLASS

END-USER: OQAA

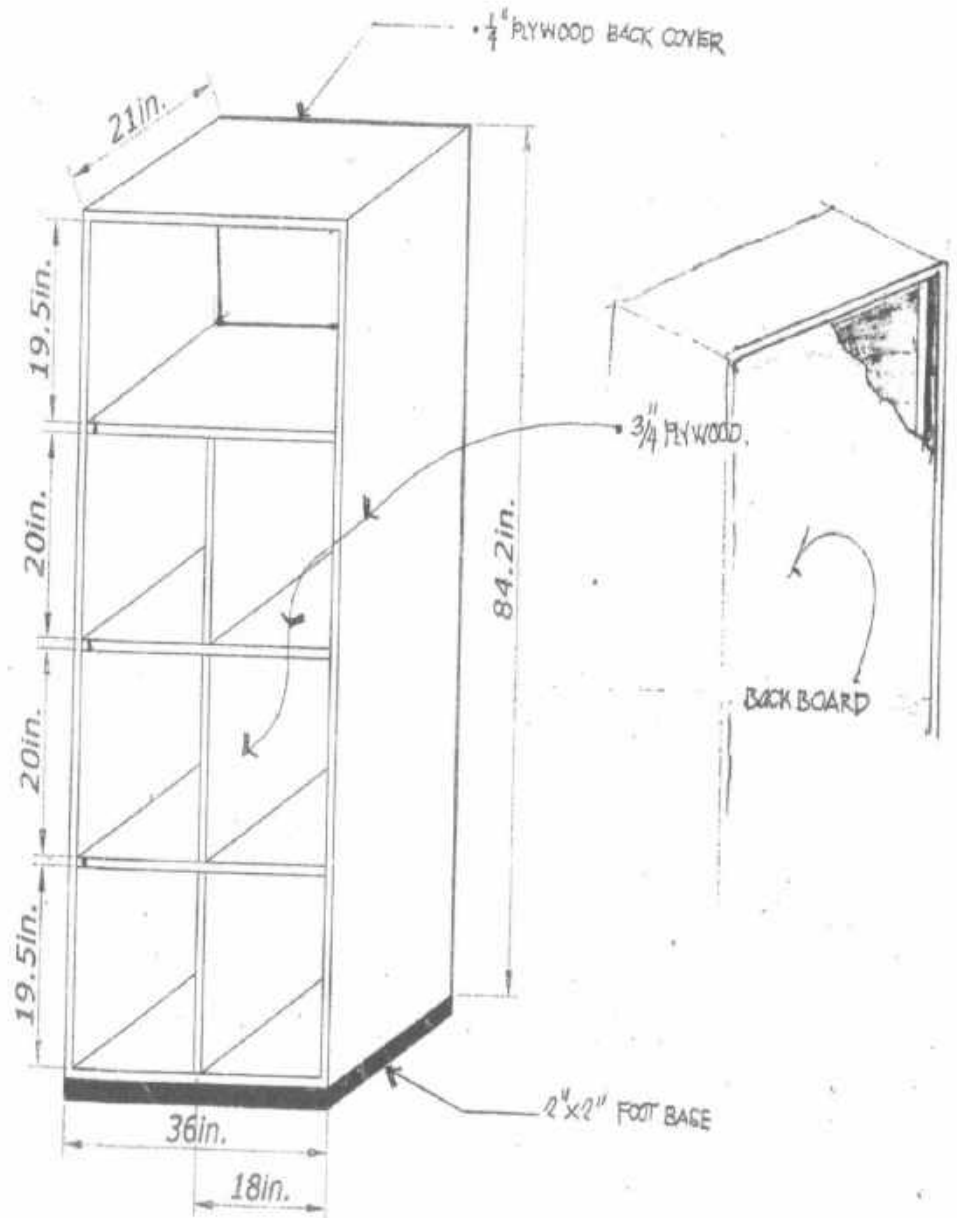
(ISOMETRIC VIEW)



CLOSED CABINET (BUTTERFLY DOOR TYPE)

SIZE: 84" X 36" X 21"

#1 (MORE DETAILS)



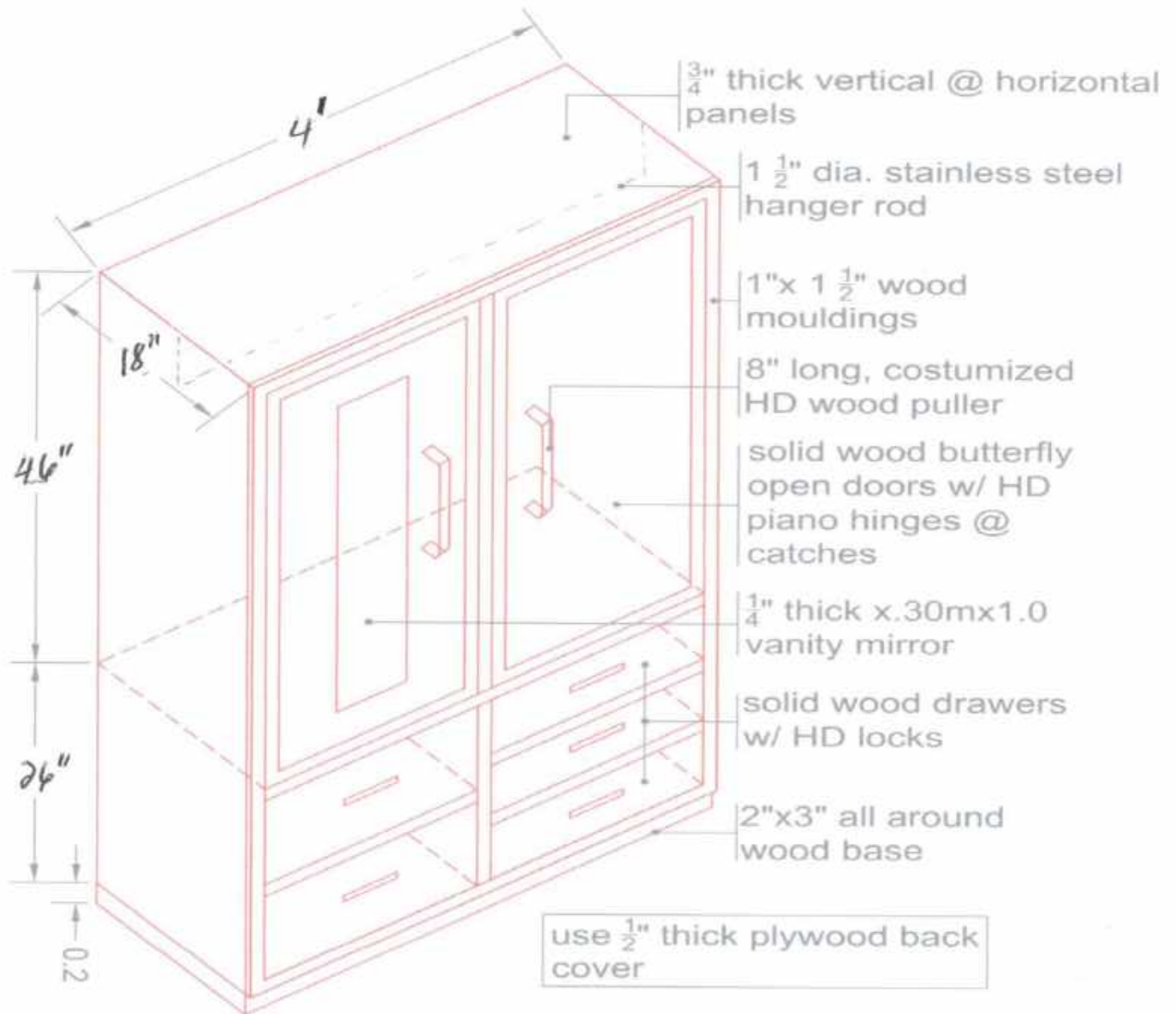
(1-UNIT)- CLOSED SHELF CABINET (DETAILS)

SIZE: 84" X 36" X 21"

#2

CLOSET

END-USER: MEN'S DORM



#3
COFFEE TABLE
END-UDER: GLADIOLA

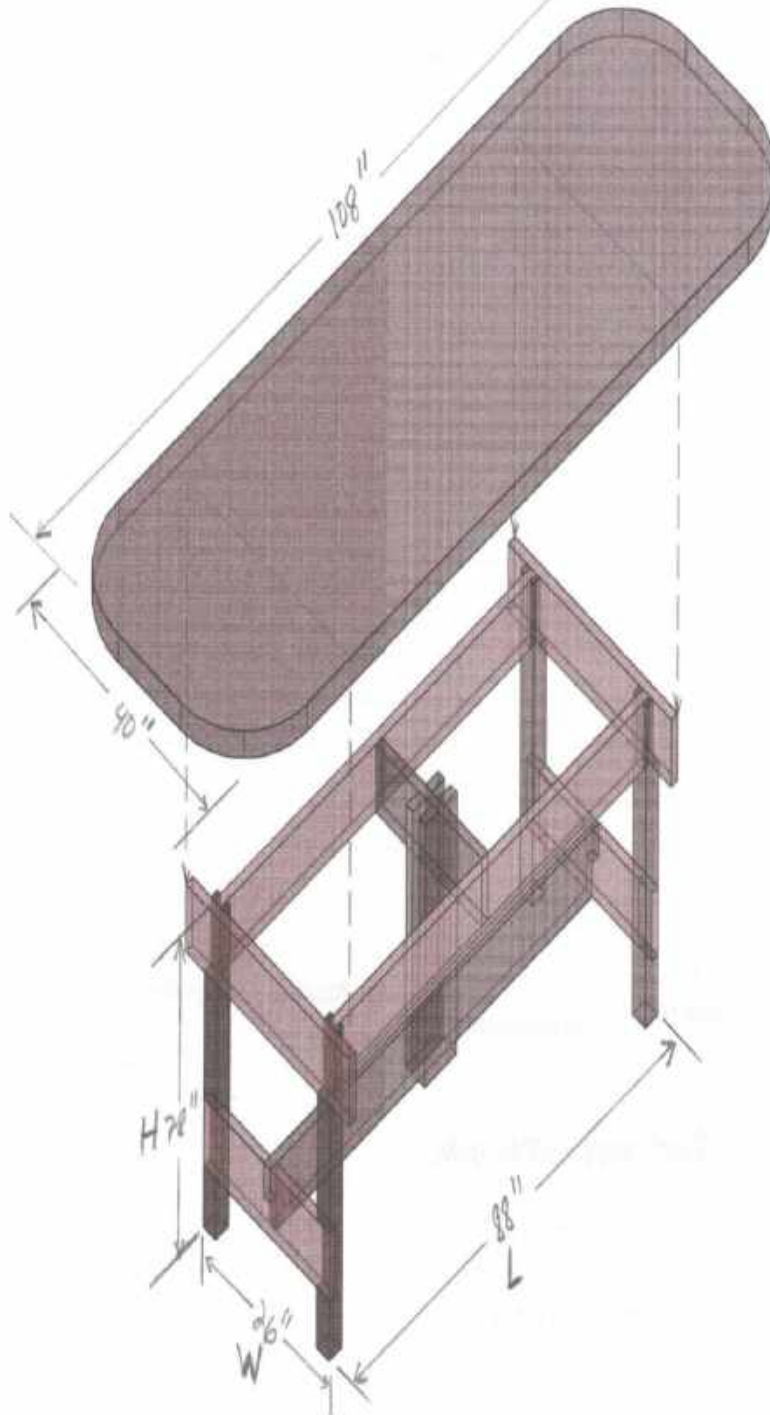


#4

CONFERENCE TABLE

END-USER: MEN'S DORM

1 UNIT 10 SEATER CONFERENCE TABLE
OVAL SHAPE OSS - MENS DORM



ADDITIONAL SPECS.

- * 2" THICK DETACHABLE TABLE TOP USING BOLTS & NUTS
- USE 2" X 20" SOLID WOOD (T & G)
- WOOD JOINT NOT VISIBLE

* TABLE STAND

- 4" X 4" SOLID WOOD FOR PILLARS / LEGS
- 2" X 6" SOLID WOOD FOR ALL OTHERS
- USE DADO, BRIDLE, LAP JOINTS ETC TO WHERE IT IS NEEDED

#5
CONFERENCE TABLE
END-USER: IHK

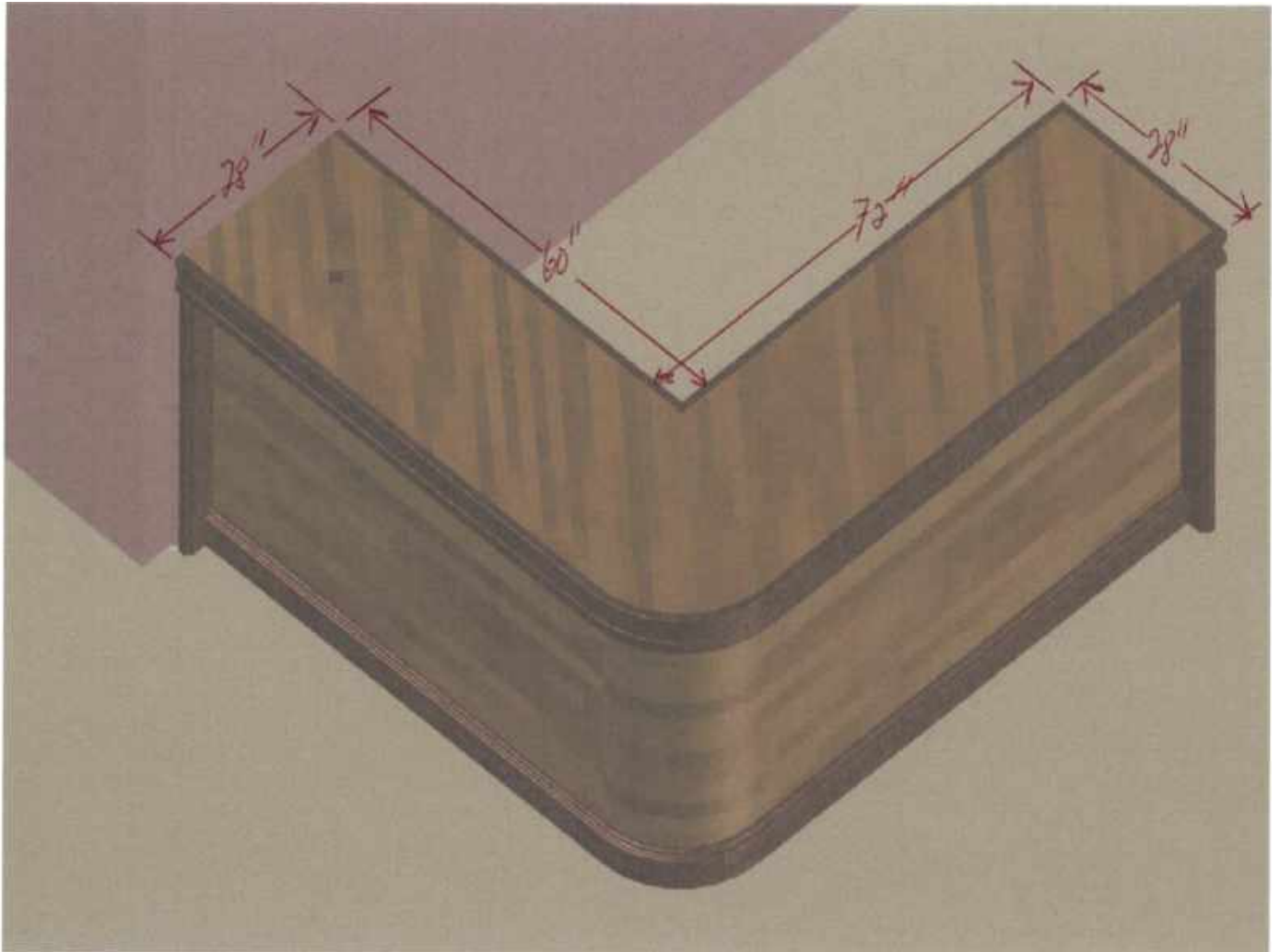


#6

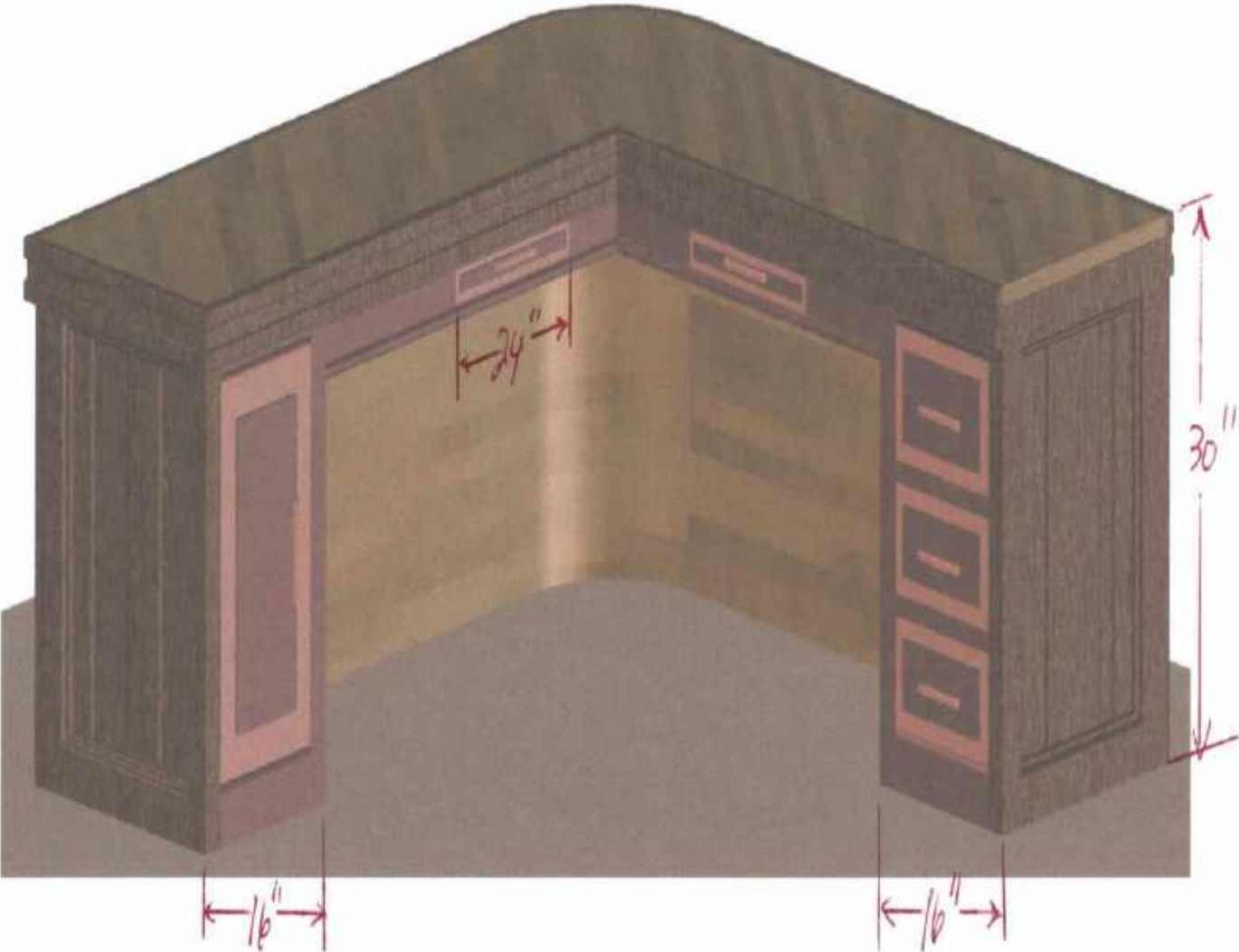
COUNTER TABLE

END-USER: MEN'S DORM

(Front View)



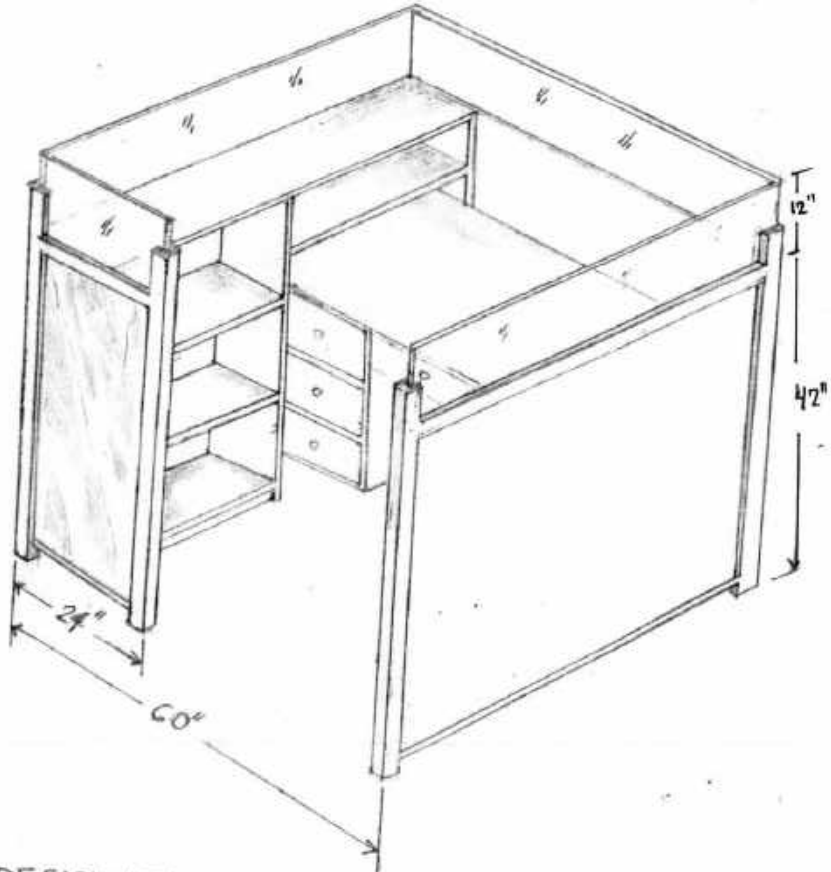
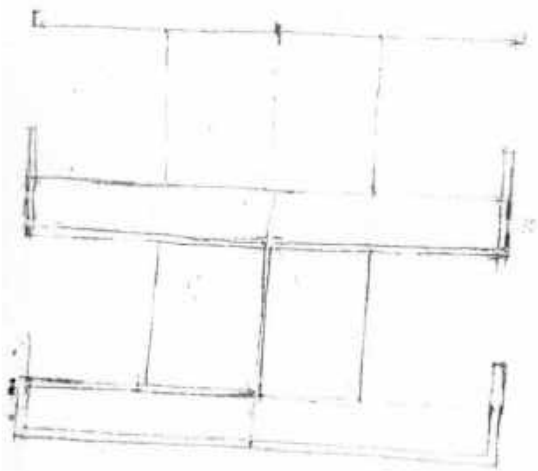
#6 (Back view)



#7

CUBICLE

END-USER: IHK



CUBICLE DESIGN FOR IHK OFFICE
MATERIALS REQUIRED: $\frac{3}{4}$ " PLYWOOD & $\frac{1}{8}$ " GLASS PANEL

C/23/12

#8

DINING TABLE

END-USER: MEN'S DORM



#9

DINING TABLE

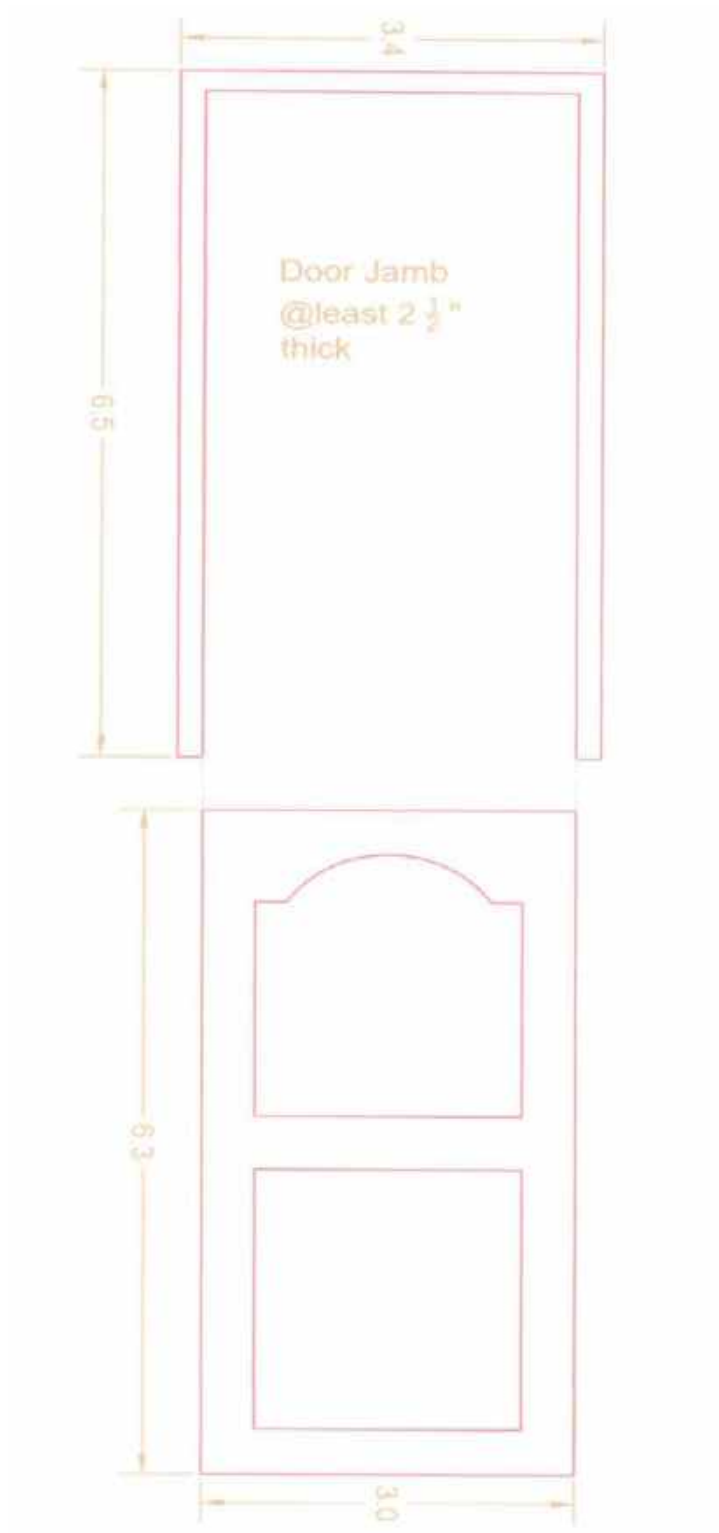
END-USER: MEN'S DORM



#10

DOOR

END-USER: GLADIOLA



PROPOSED DOOR W/ JAMB (pure wood)

#11

DOUBLE DECK BEDS

END-USER: MEN'S DORM



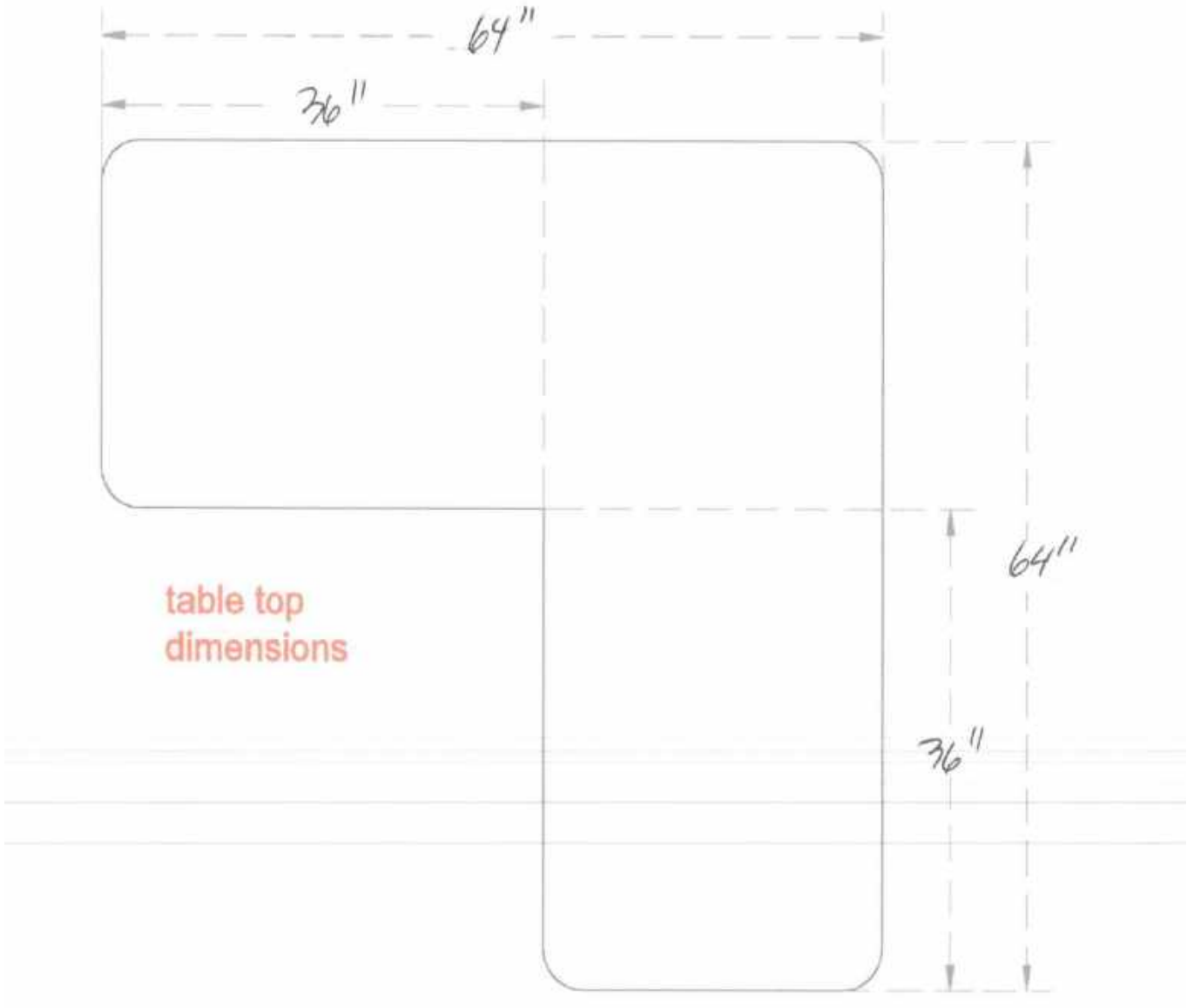
#12

EXECUTIVE OFFICE TABLE

END-USER: MEN'S DORM AND IHK



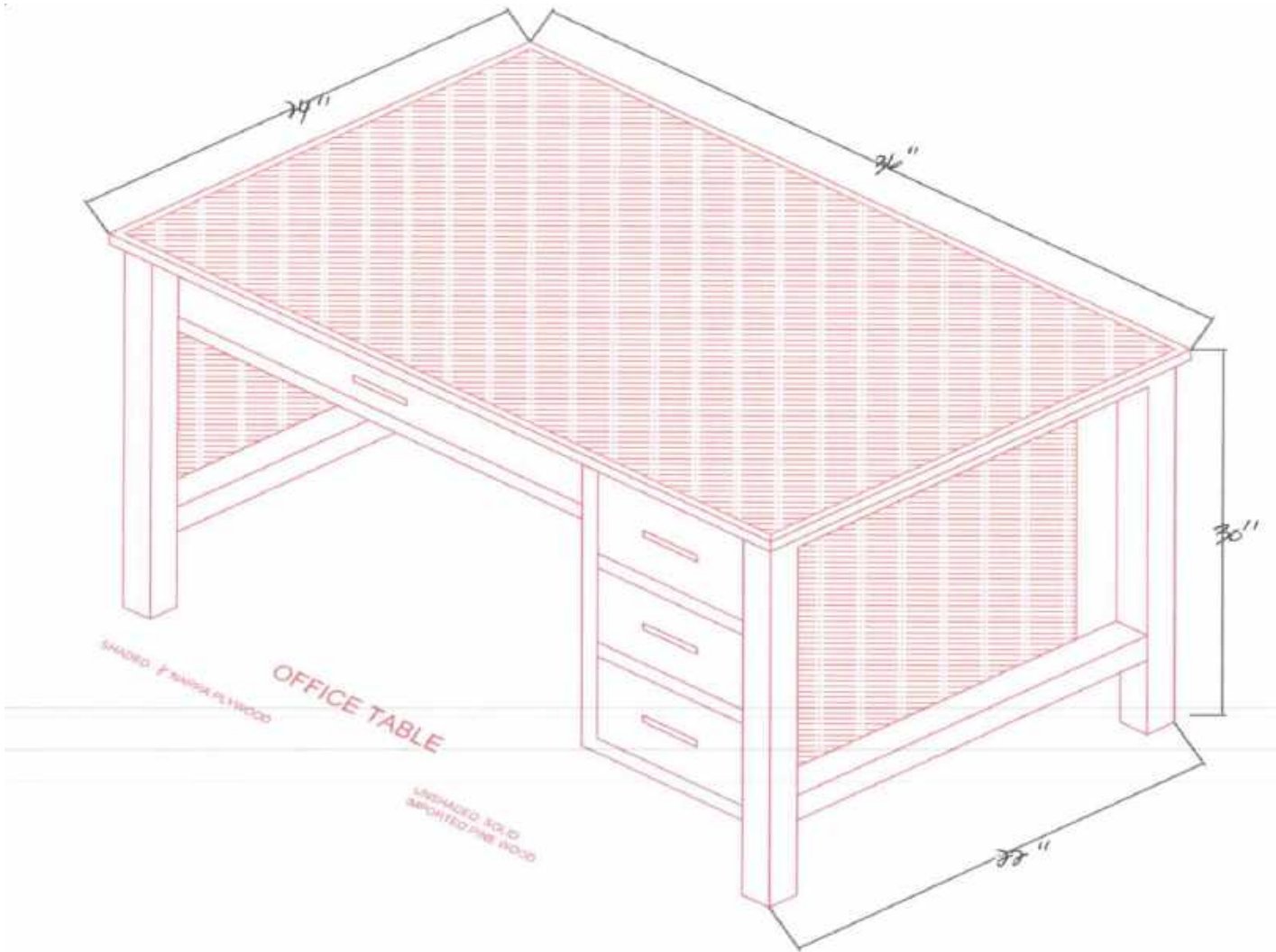
#12 (More Details)



#13

EXECUTIVE OFFICE TABLE

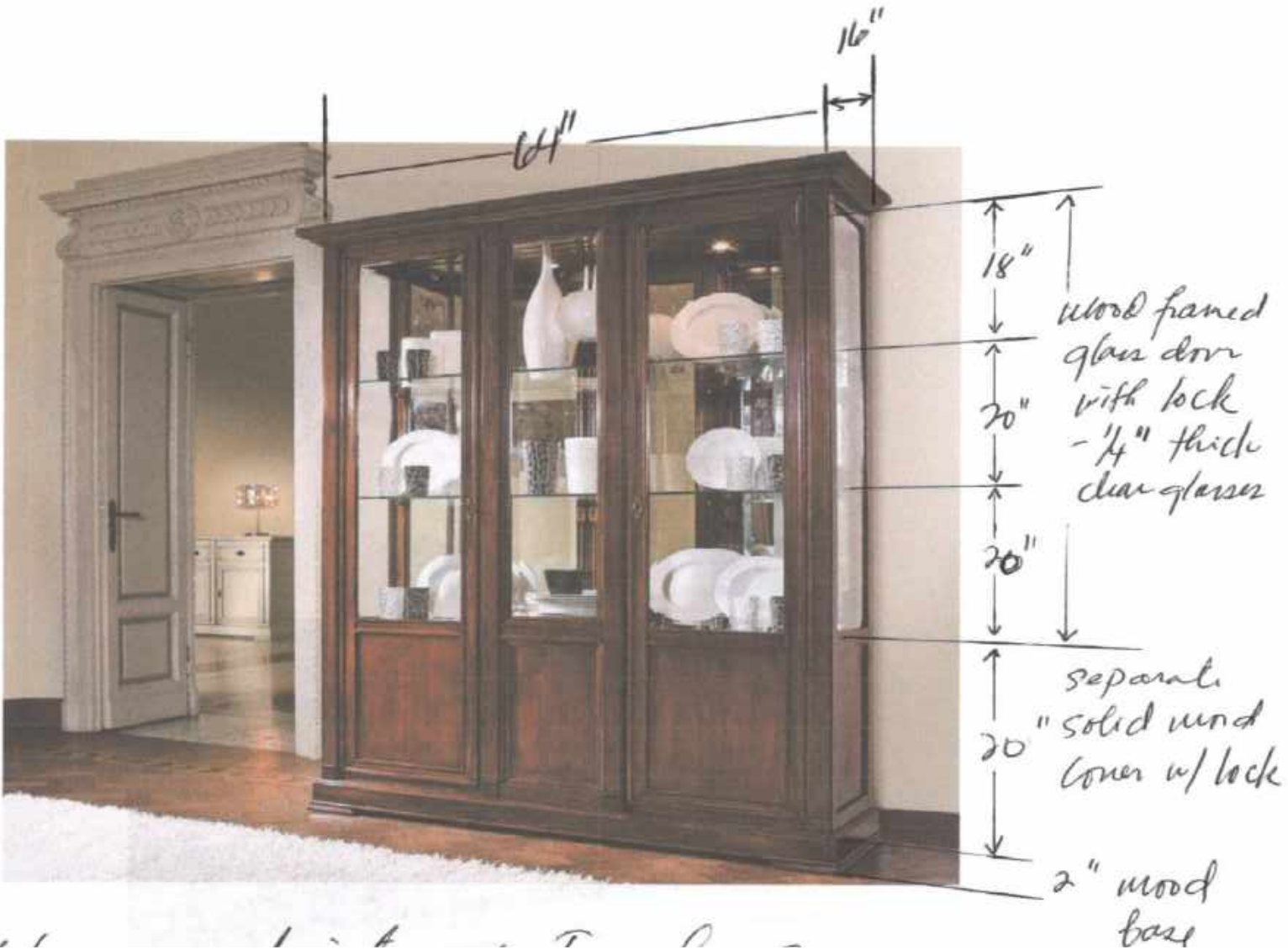
END-USER: CSAC



15
DINING TABLE WITH LAZY SUSAN
END-USER: GALDIOLA



#14
FILLING CABINET
END-USER: IHK



#16

LOVE SEAT

END-USER: MEN'S DORM

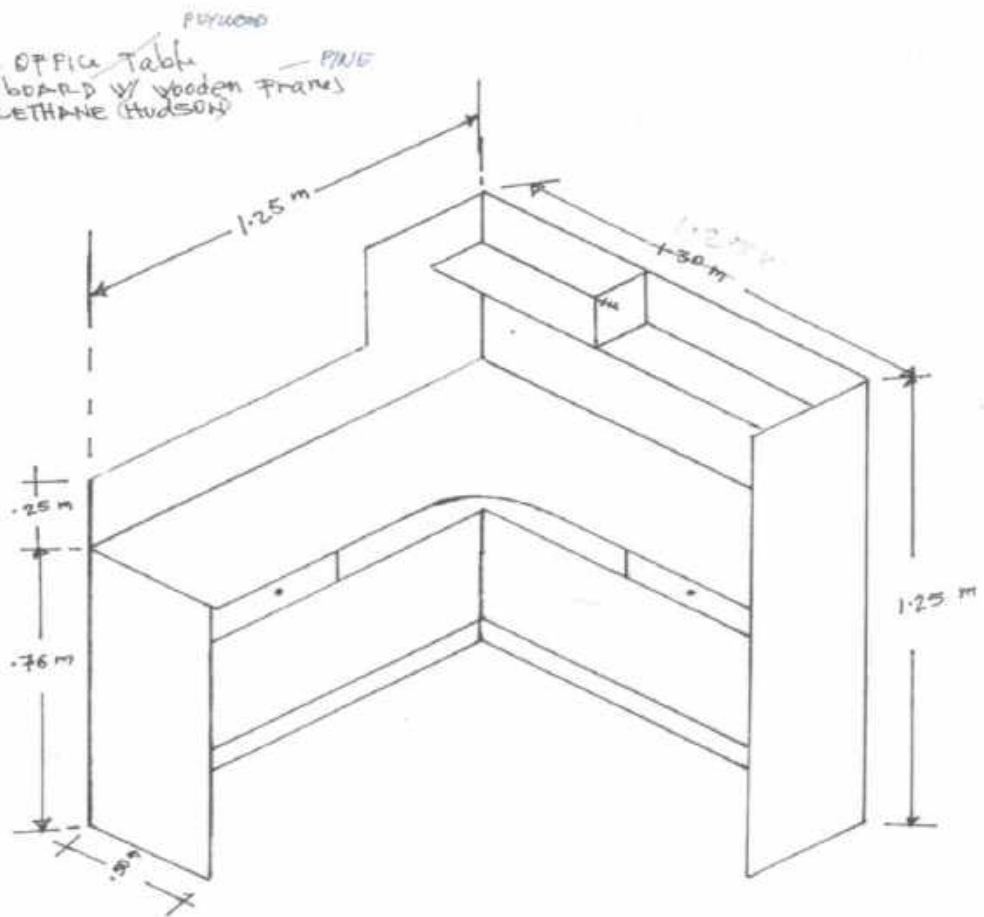


#17

MODULAR TABLE

END-USER: CA

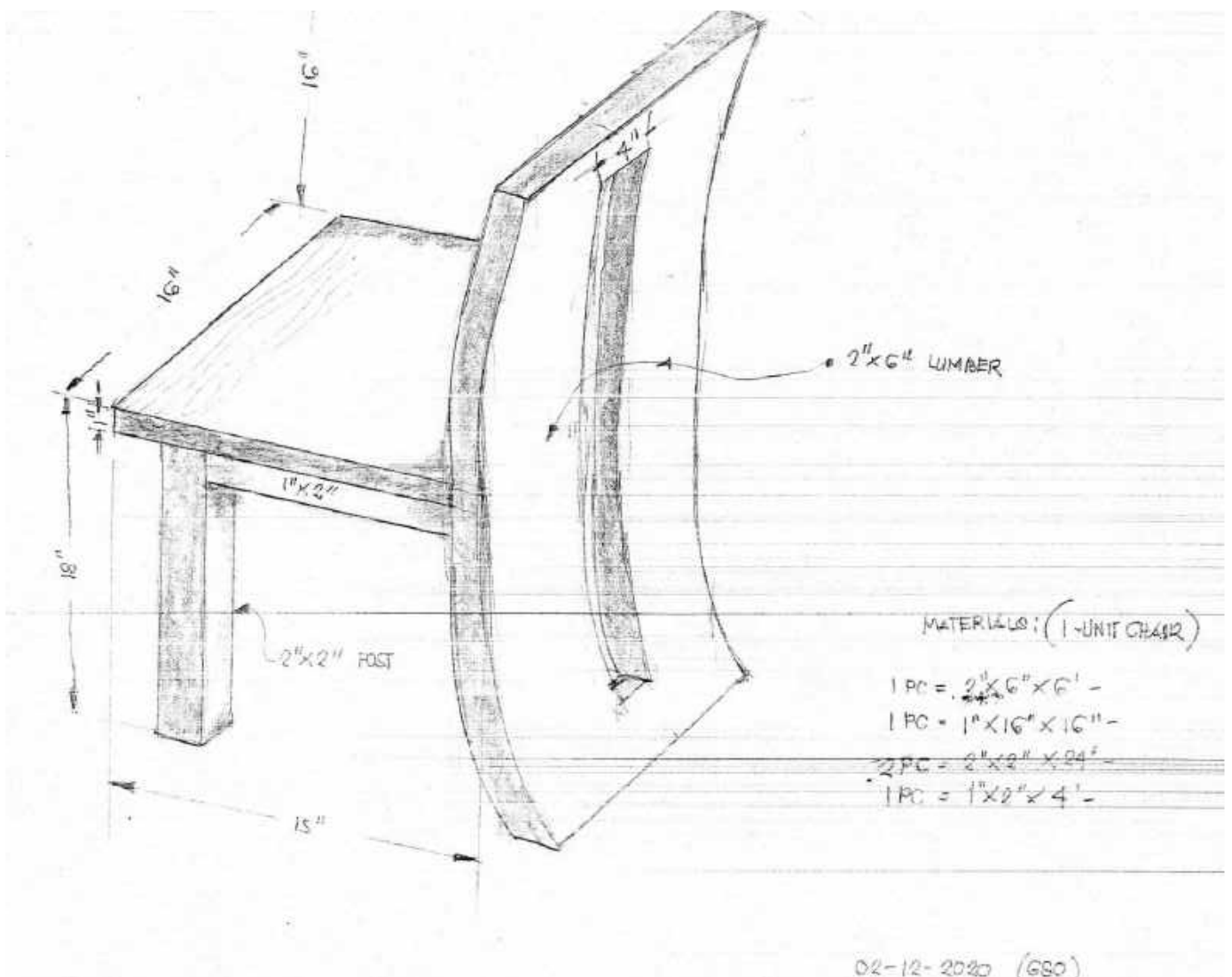
CA - DAS
13 UNITS Outdoor Office Table
MATERIALS: 3/4" PLYBOARD w/ wooden frames
VARNISH POLYURETHANE (HUDSON)
MAPLE FINISH



#18

OFFICE CHAIR

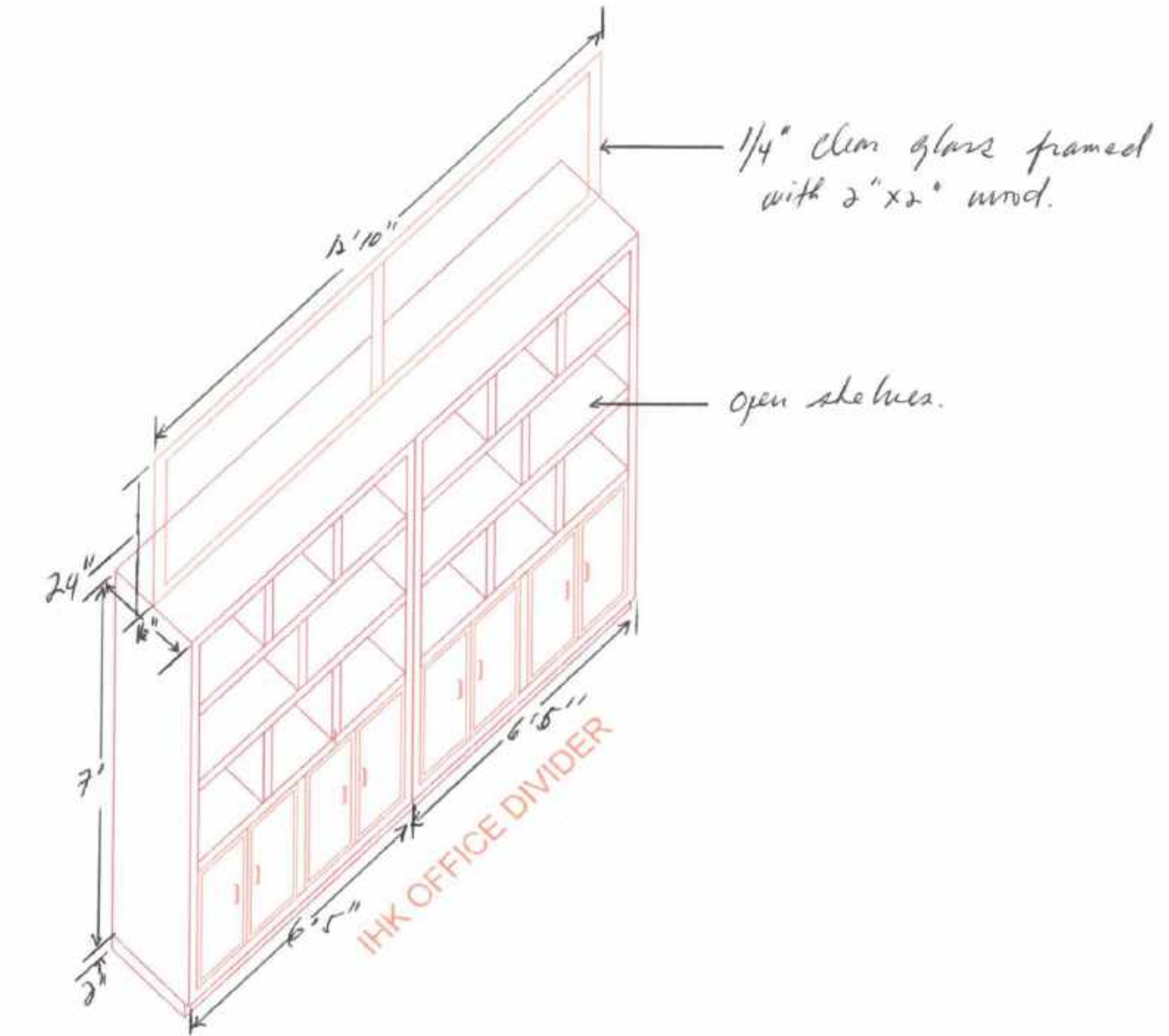
END-USER: OSS-SAUO



#19

OFFICE DIVIDER

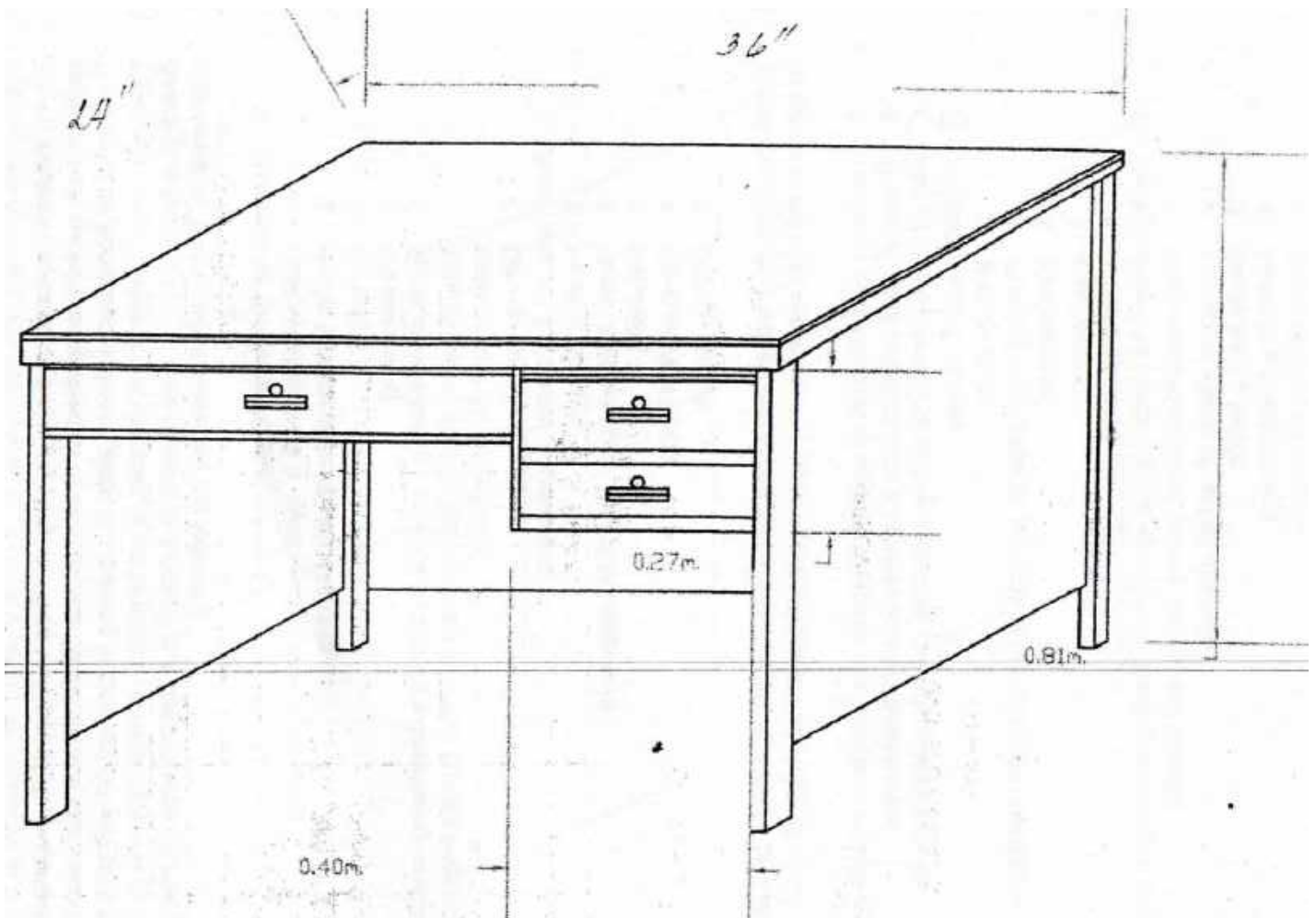
END-USER: IHK



#20

OFFICE TABLE

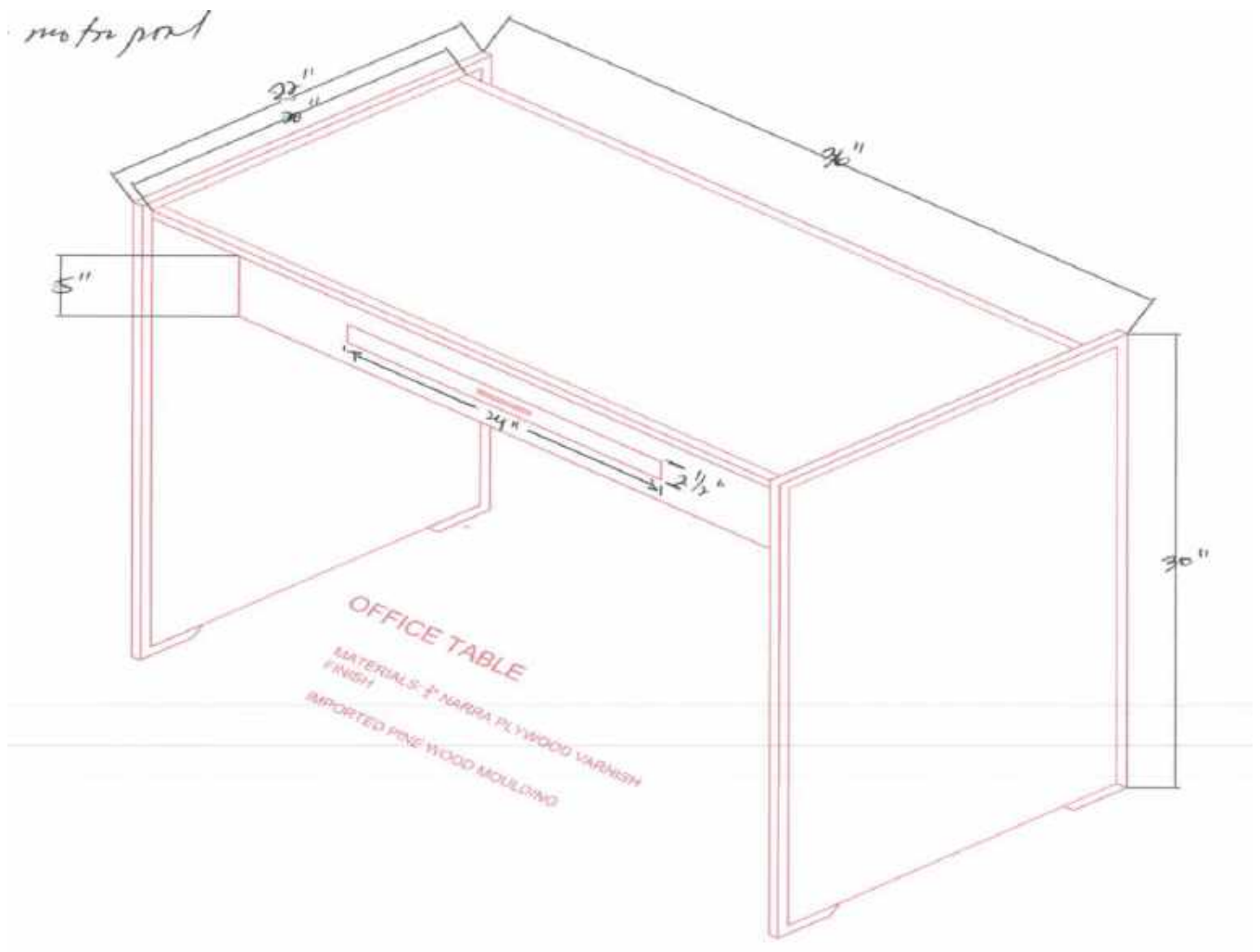
END-USER: CN AND CCA



#21

OFFICE TABLE

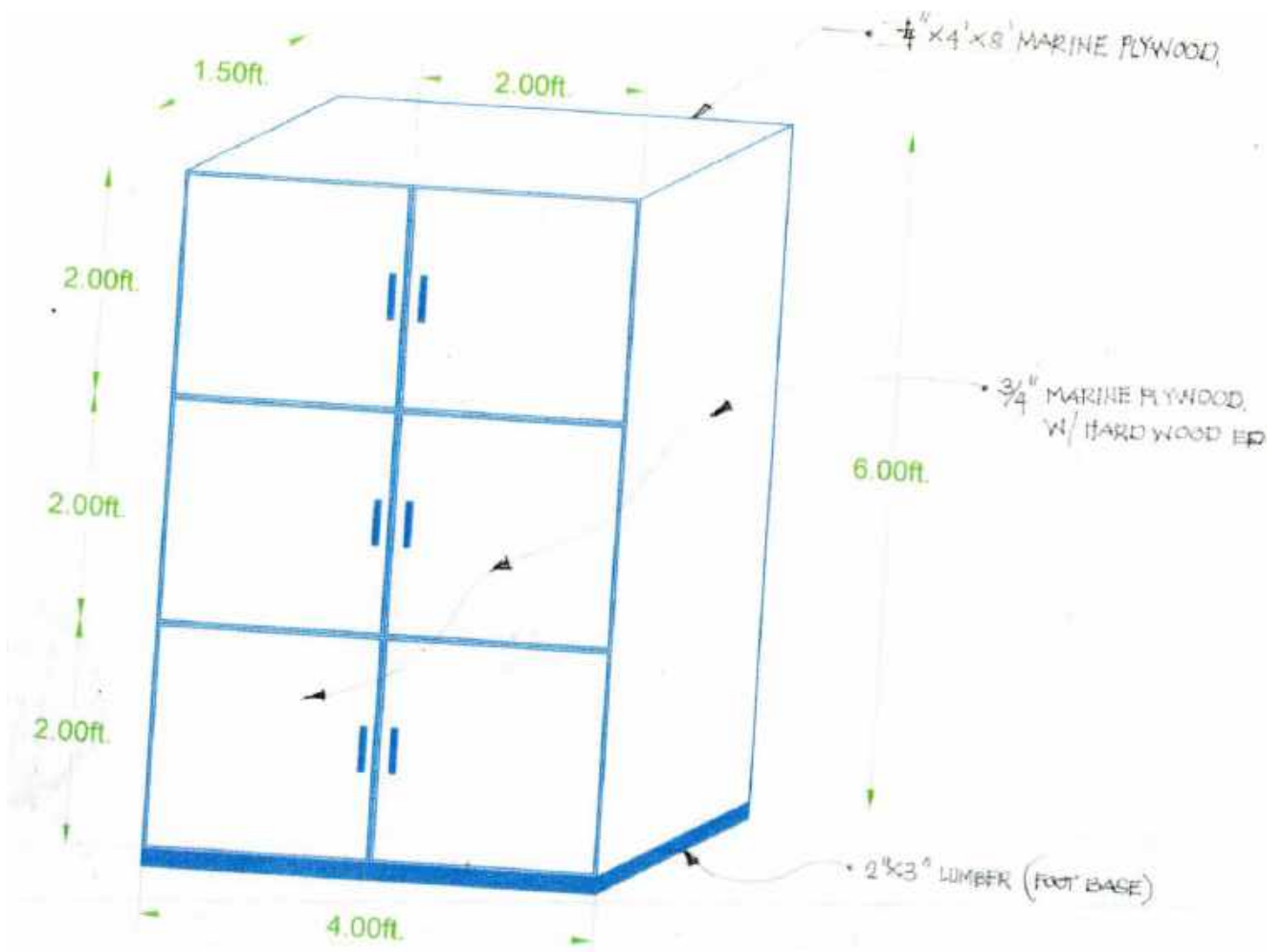
END-USER: CSAC AND MOTORPOOL



#22

WOODEN CABINET / DIVIDER

END-USER: IHK



#23

DISPLAY CABINET

END-USER: CHET

MATERIALS: (1-UNIT WHEELED GLASS CABINET 6-UNITS)

- 4 PCS = SWIVEL 2" CASTER WHEEL W/ LOCK -
- 2 SETS = 3/4" x 1" x 20' ALUMINUM UPPER & LOWER CHAS. - 1700 = 3600
- 1 PCS = 1/2" x 1" x 1" CLEAR GLASS - 2500 = 2500
- 2 PCS = 3/4" x 4' x 2' PLYWOOD - 1100 = 2200
- 1 PCS = 1/2" x 4' x 2' PLYWOOD - 450 = 450
- 6 PCS = 1" x 1" x 8' LUMBER - 80 = 480
- 1/2 LTR = WOOD GLUE (STICK WEL) - 175 = 175
- 1 LTR = SANDING SEALER - 150 = 150
- 1 LTR = VALSPAR VARNISH - 59 = 59
- 2 PCS = 2" PAINT BRUSH - 45 = 90
- 1 QT = LACQUER THINNER - 70 = 70

Procurement Management Office
RECEIVED
By

